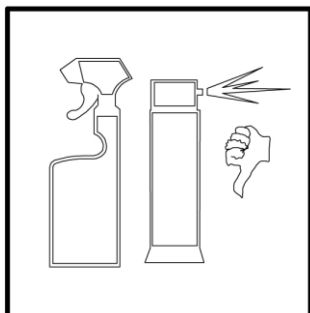
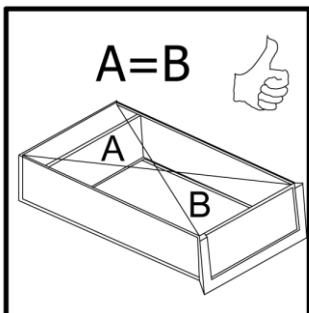
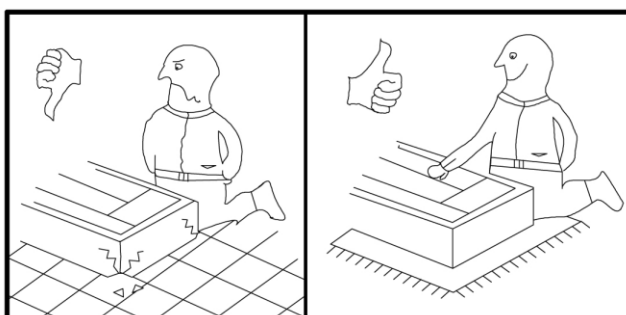
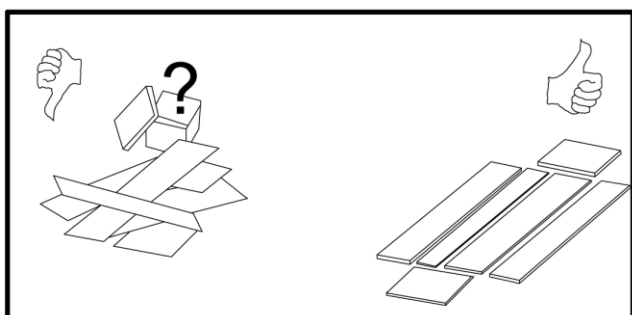
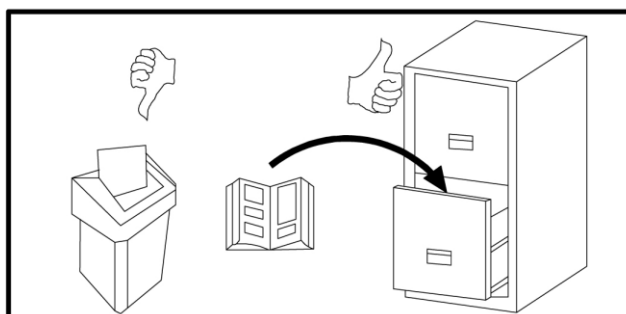
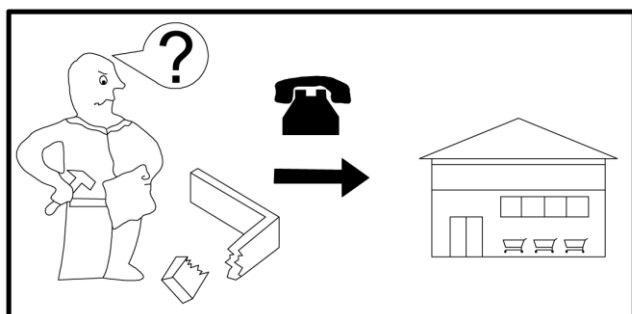
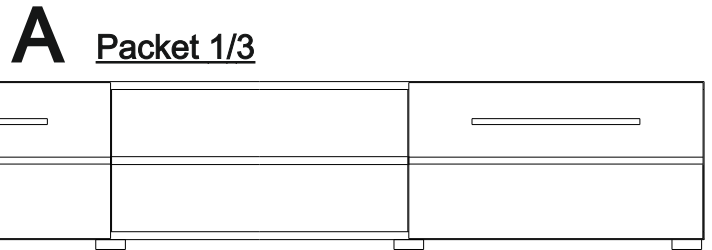
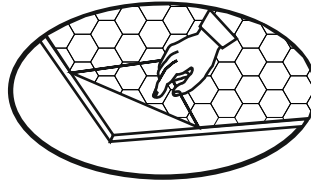
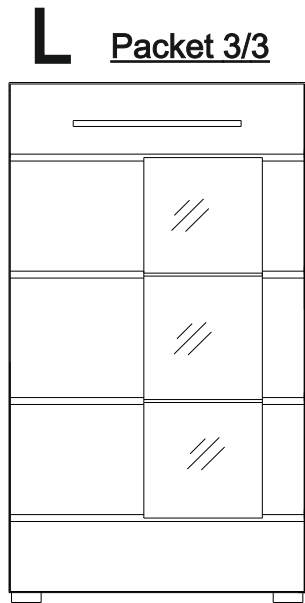
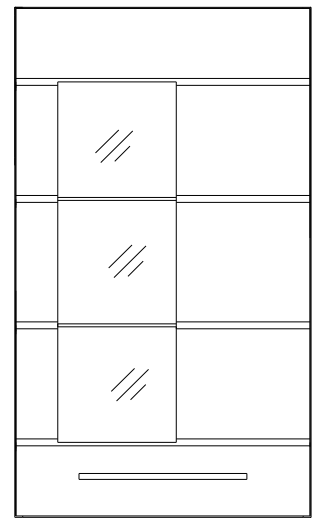
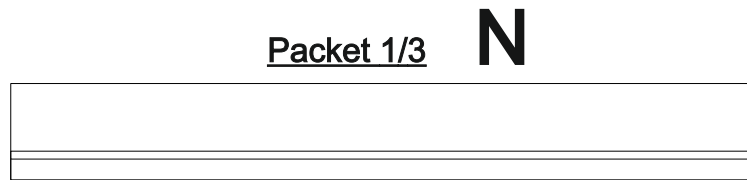
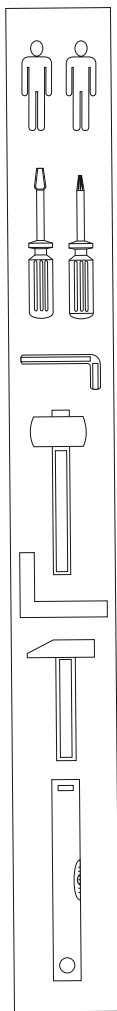



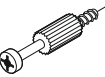


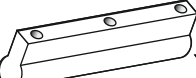
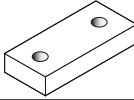


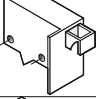
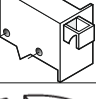

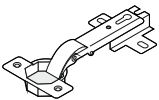



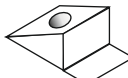


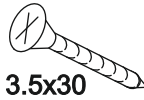
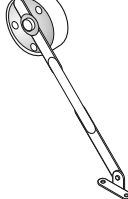
# ENRIQUE 1 o. Bel.



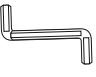

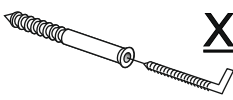




1	 8x35	<b>X 32</b>
22	 7x50	<b>X 18</b>
22A		<b>X 18</b>
2		<b>X 20</b>
9		<b>X 20</b>
9A		<b>X 20</b>
3		<b>X 4</b>

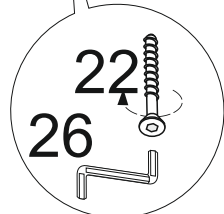
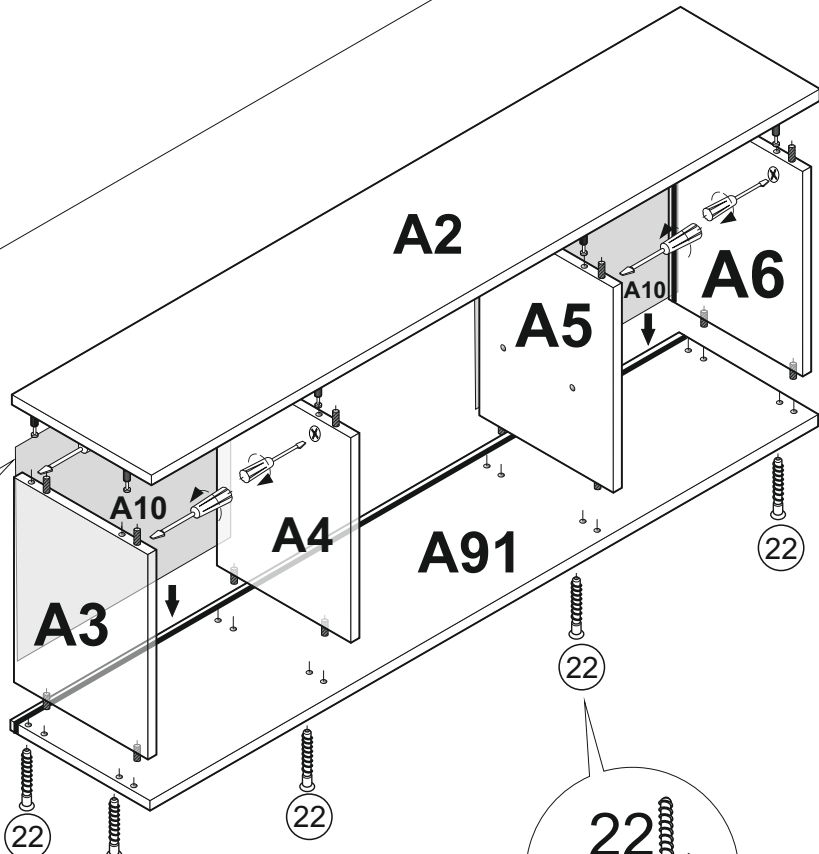
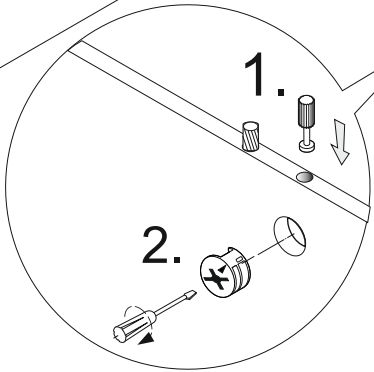
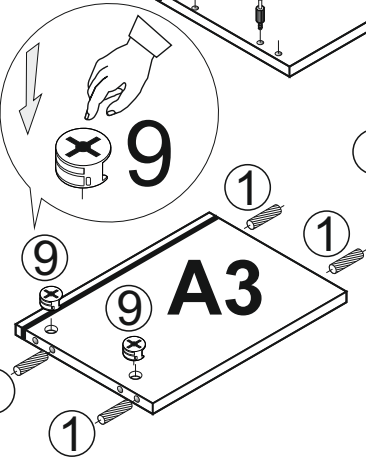
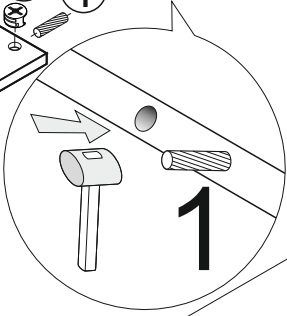
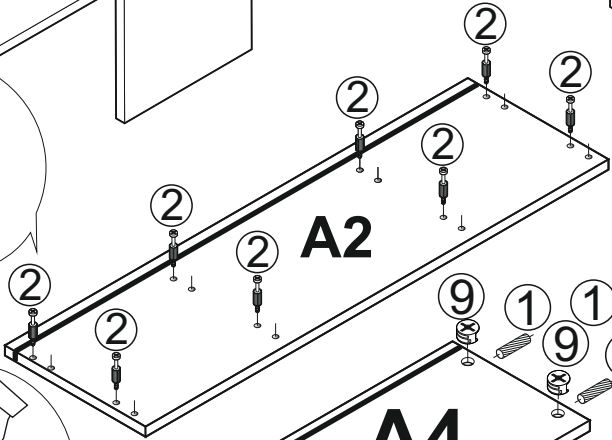
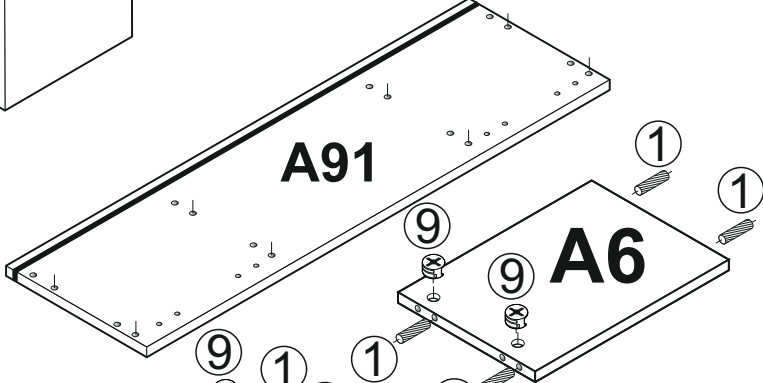
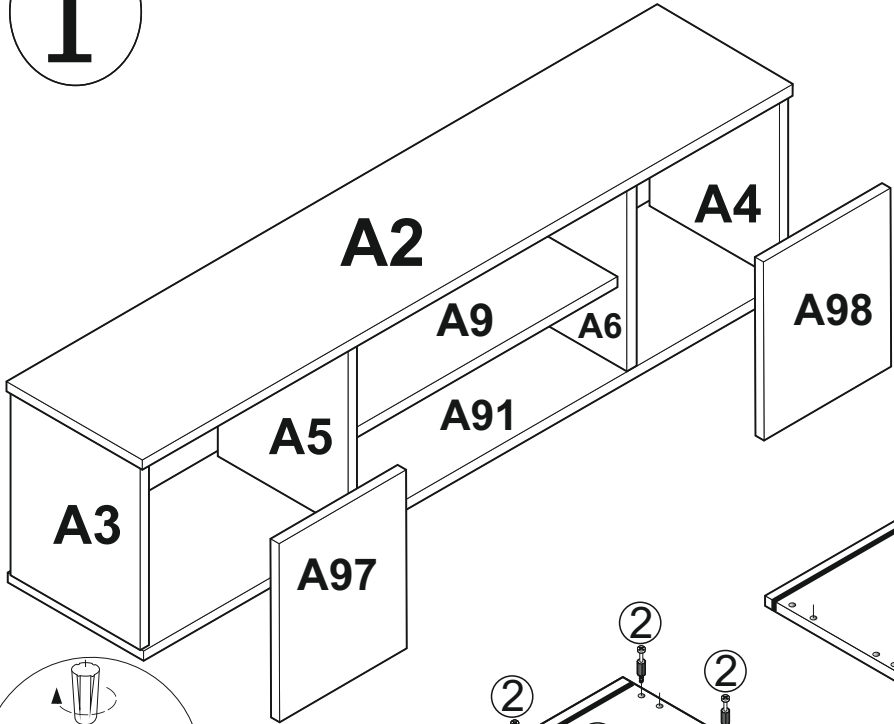
10		<b>X 10</b>
13		<b>X 4</b>
14		<b>X 16</b>
17		<b>X 1</b>
18		<b>X 1</b>
72		<b>X 2</b>
5		<b>X 10</b>

4	 3.5x30	<b>X 12</b>
38		<b>X 22</b>
39	 3x20	<b>X 54</b>
42	 3.5x13	<b>X 8</b>
21	 3.5x30	<b>X 4</b>
71		<b>X 2</b>

40		<b>X 16</b>
41		<b>X 2</b>
26		<b>X 1</b>
6	 5x11	<b>X 50</b>
80		<b>X 6</b>

# I

A91 / A2 1801mm x 413mm  
A3 / A4 288mm x 413mm  
A5 / A6 288mm x 393mm  
A97 / A98 316mm x 596mm

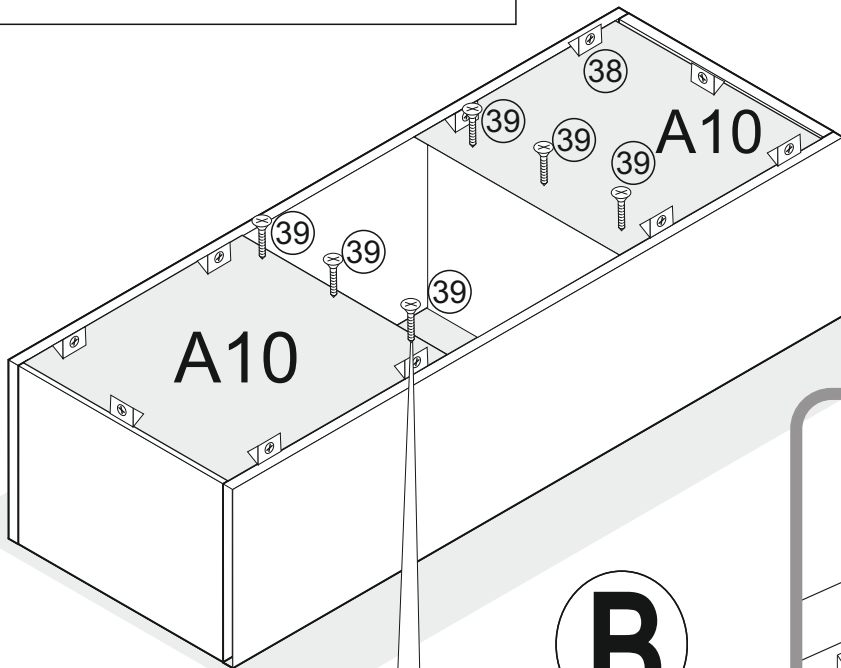
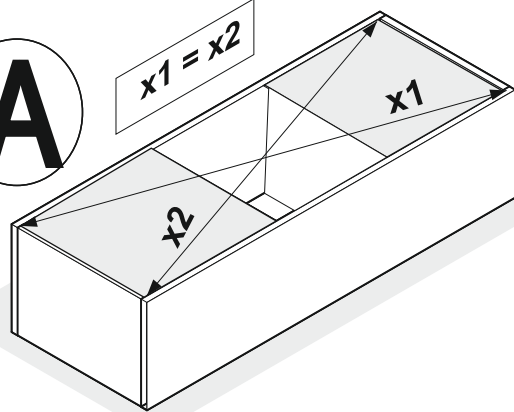


# II

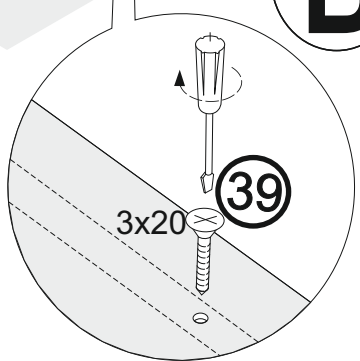
# III

A10 298mm x 586mm

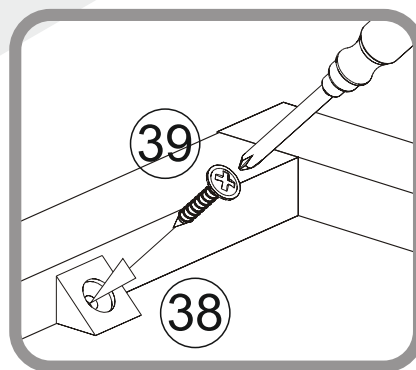
## A



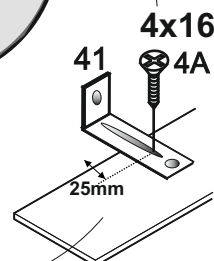
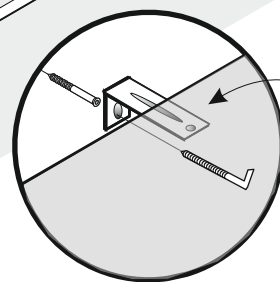
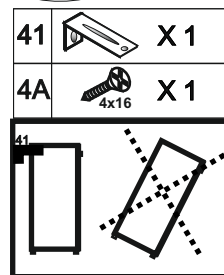
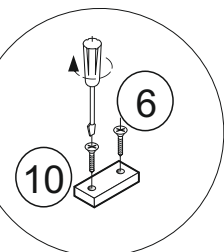
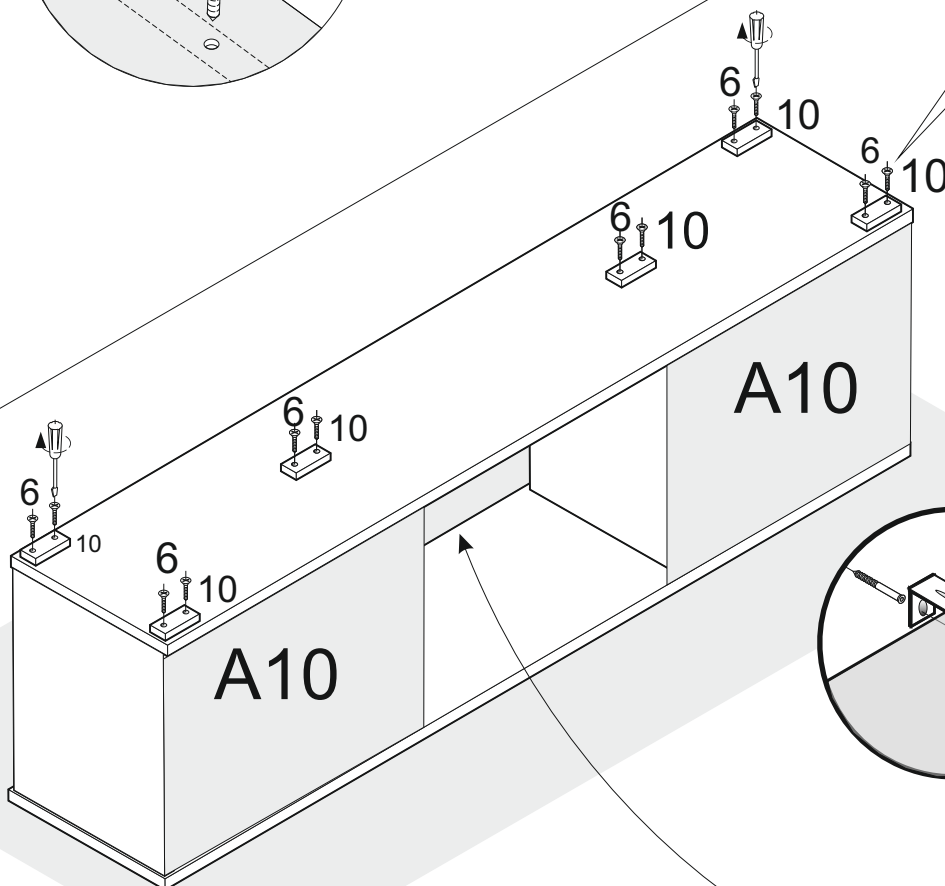
## B



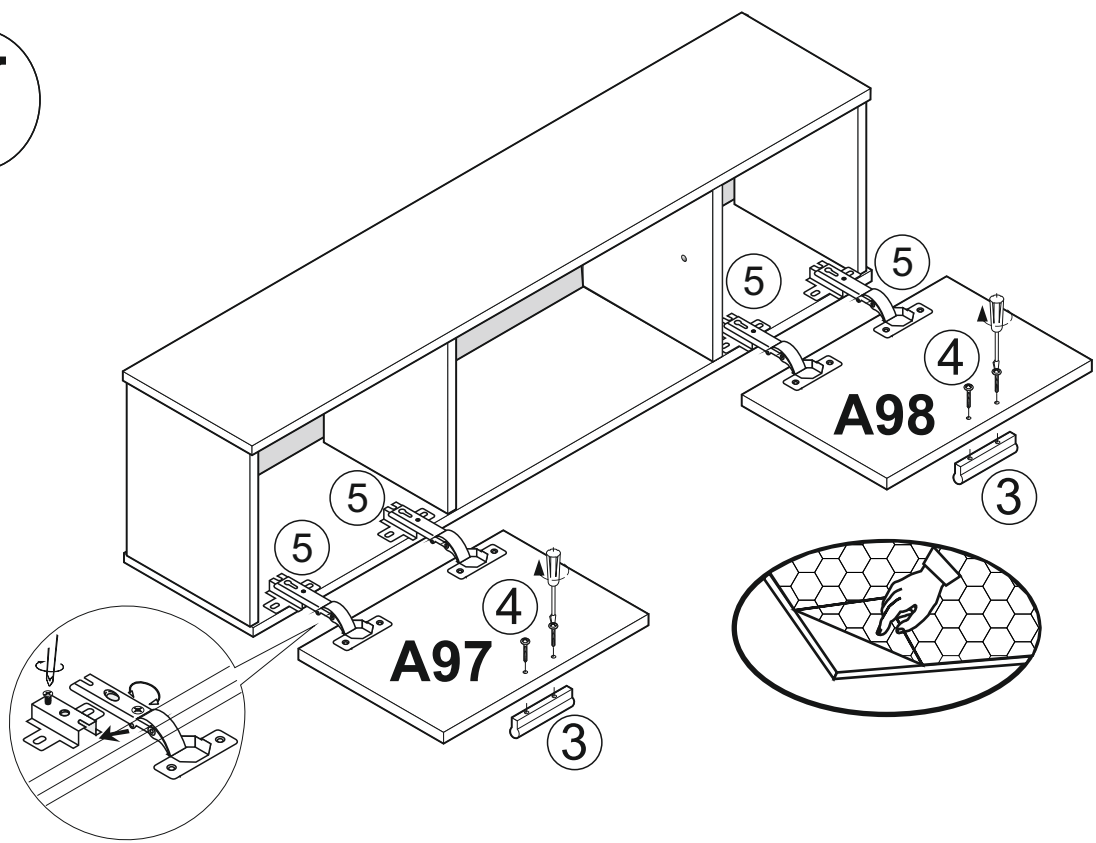
## C



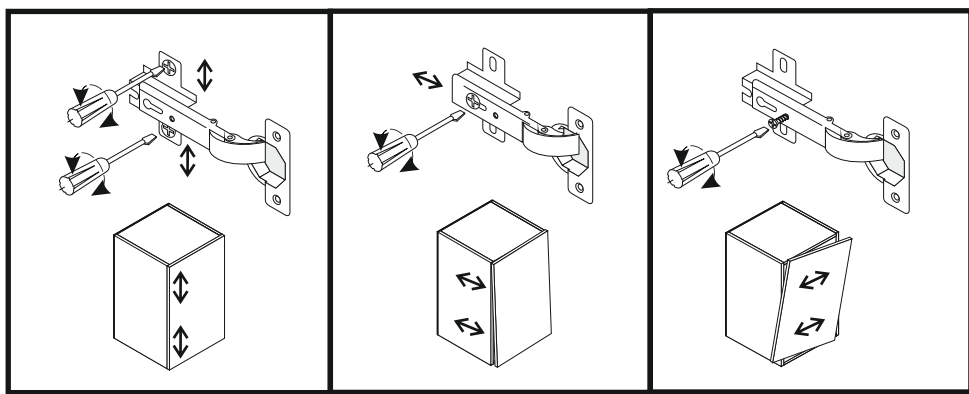
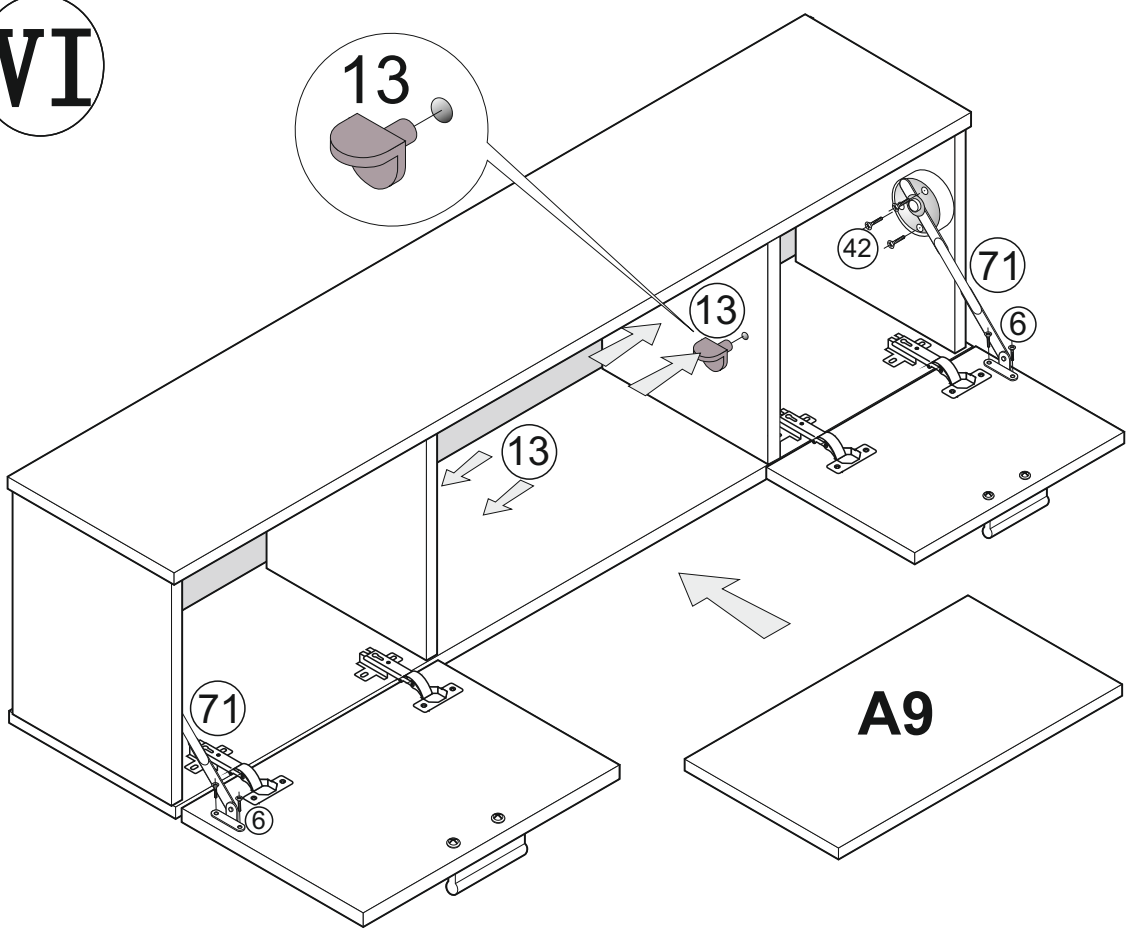
# IV



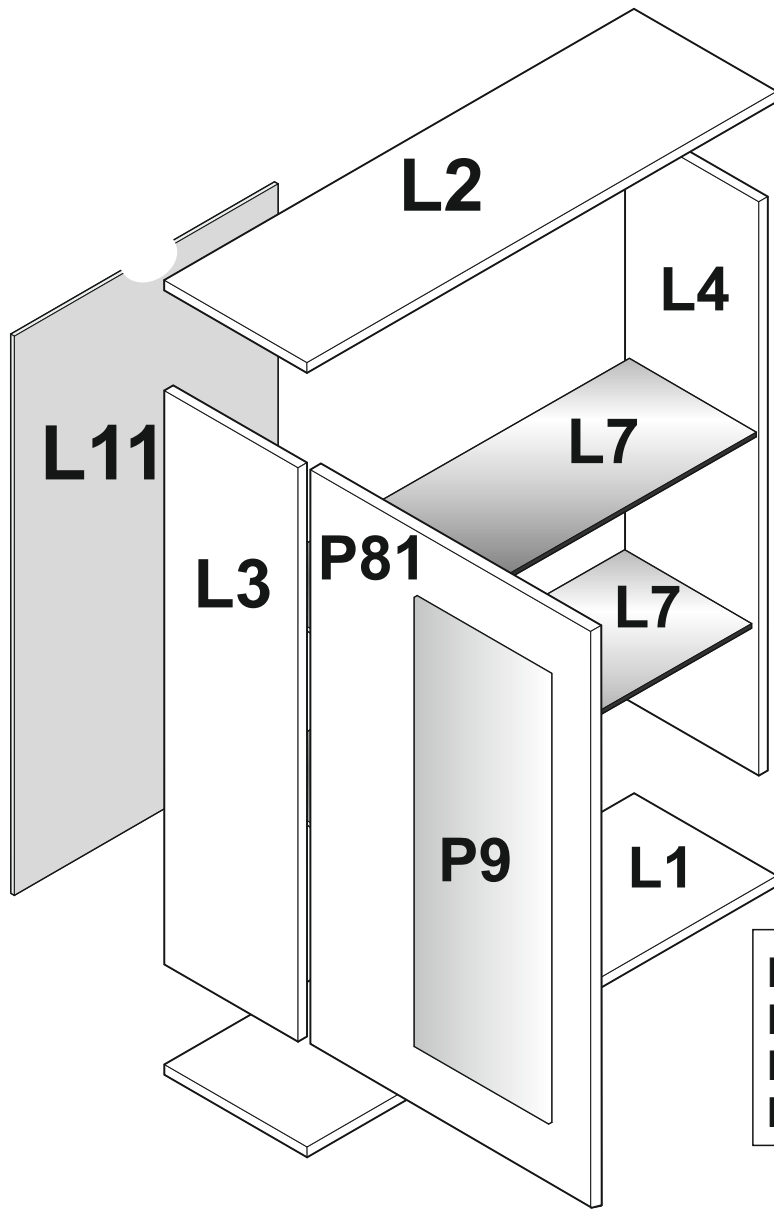
# V



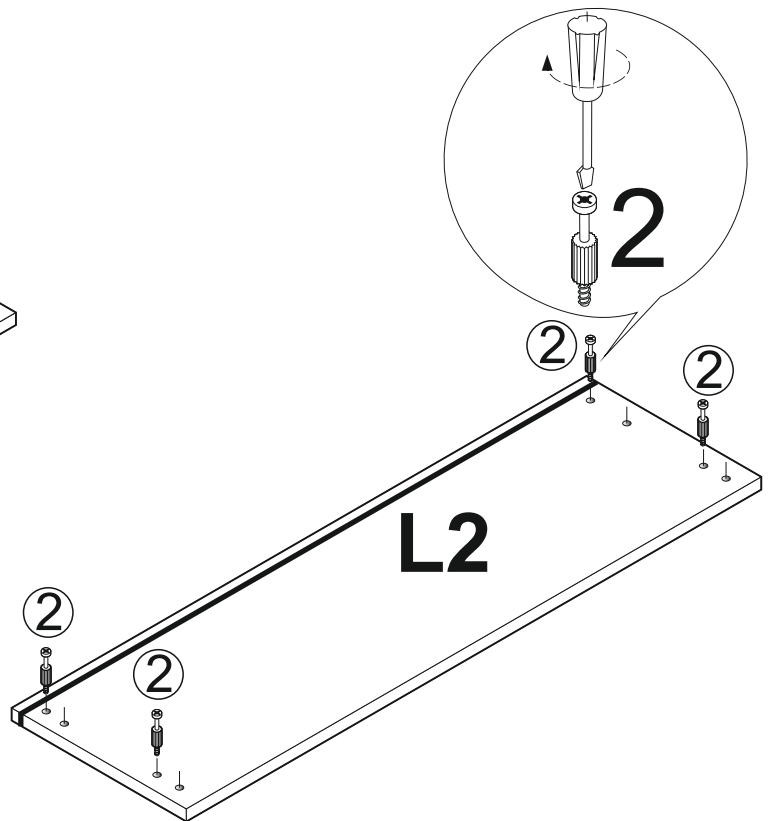
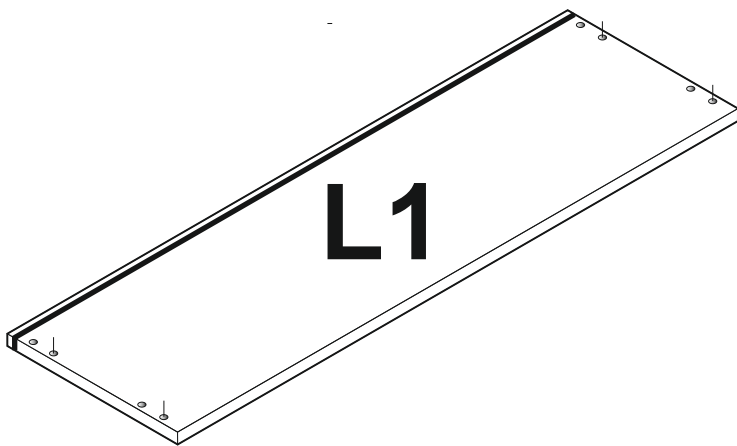
# VI



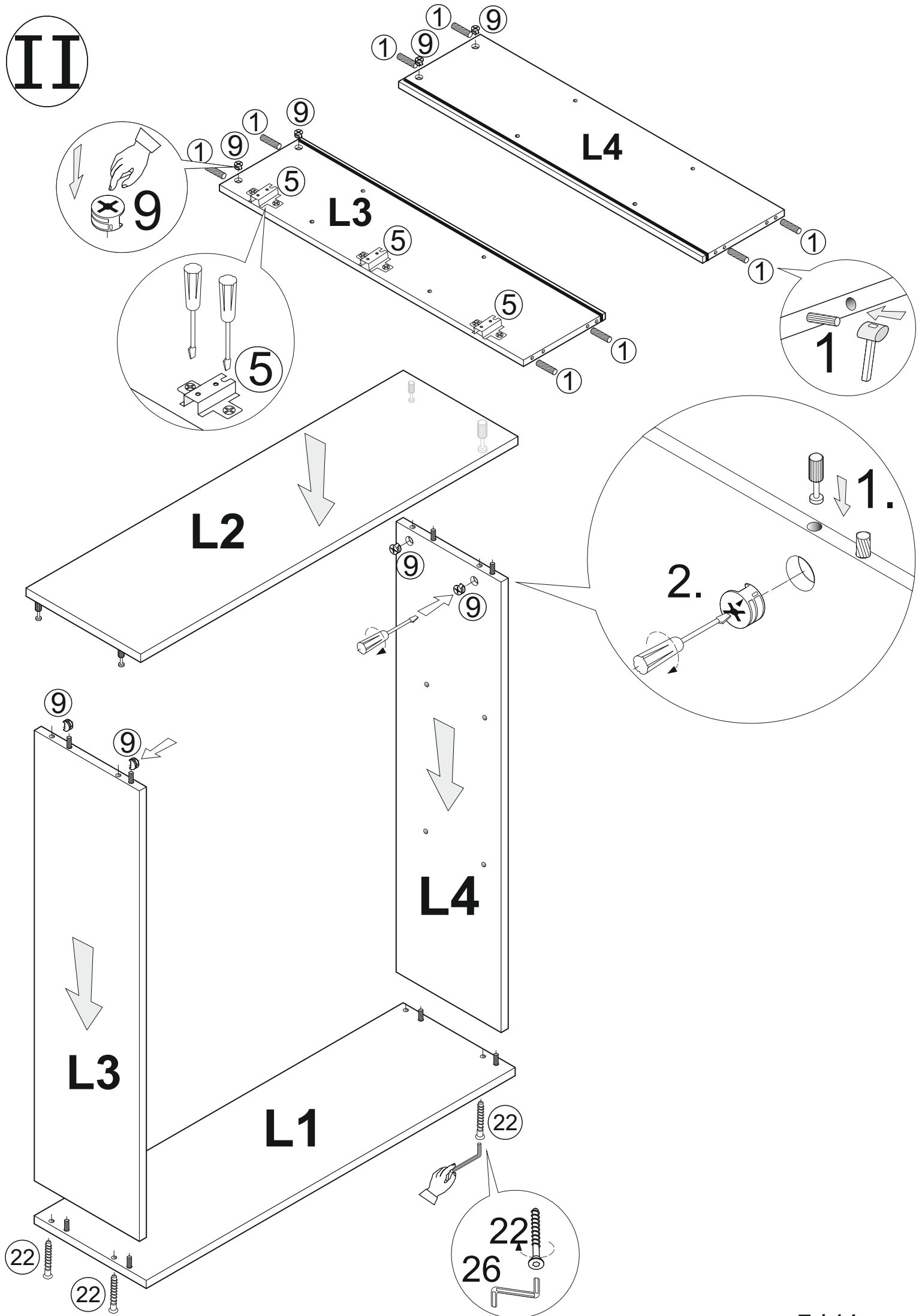
I



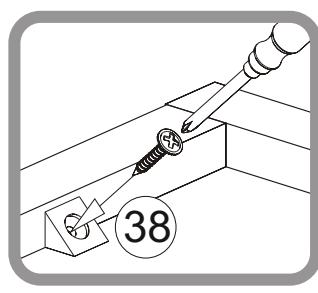
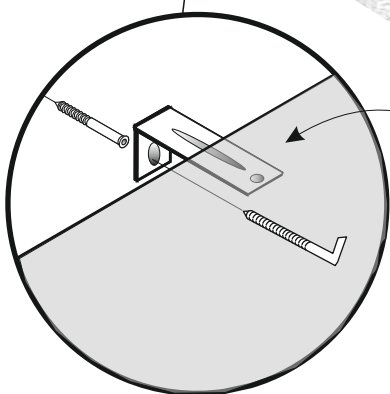
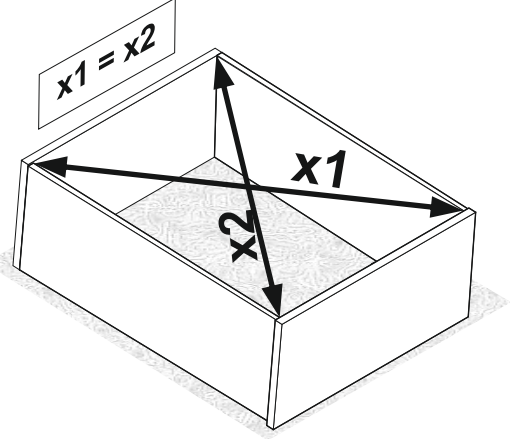
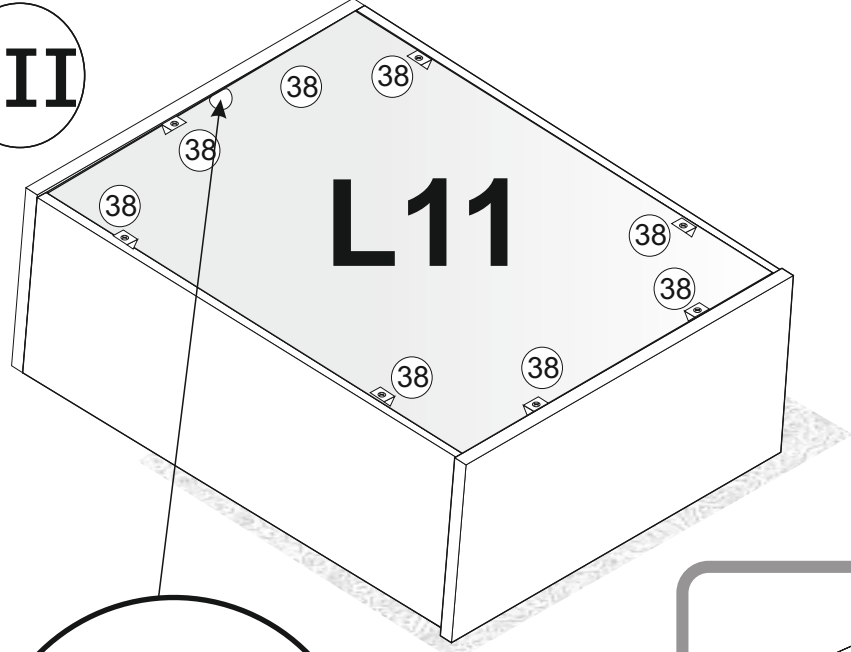
L1 / L2	601mm x 334mm
L3 / L4	1002mm x 334mm
L11	1012mm x 578mm
P81	1028mm x 596mm



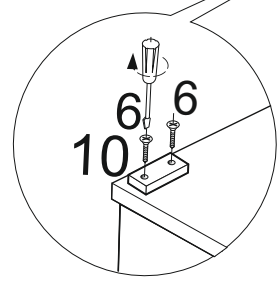
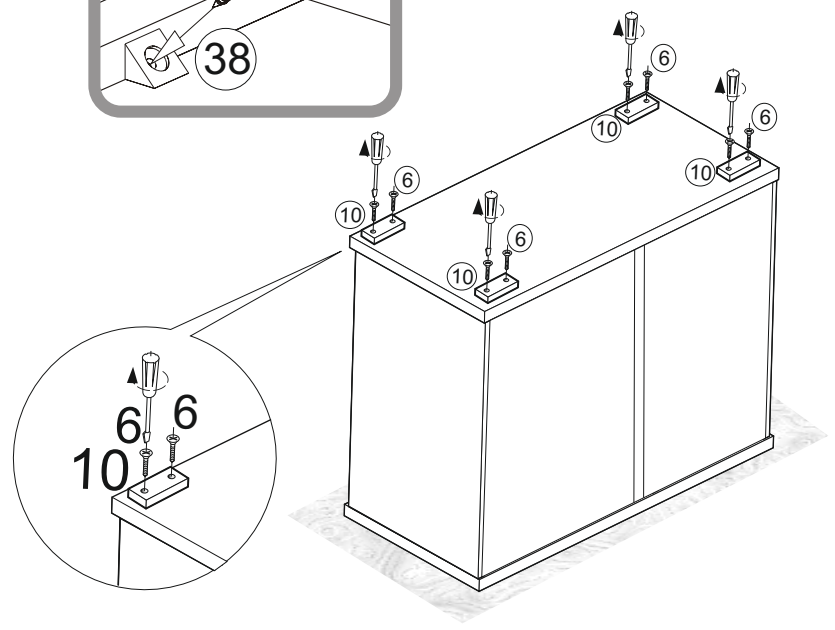
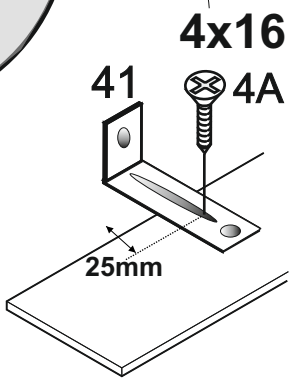
# II



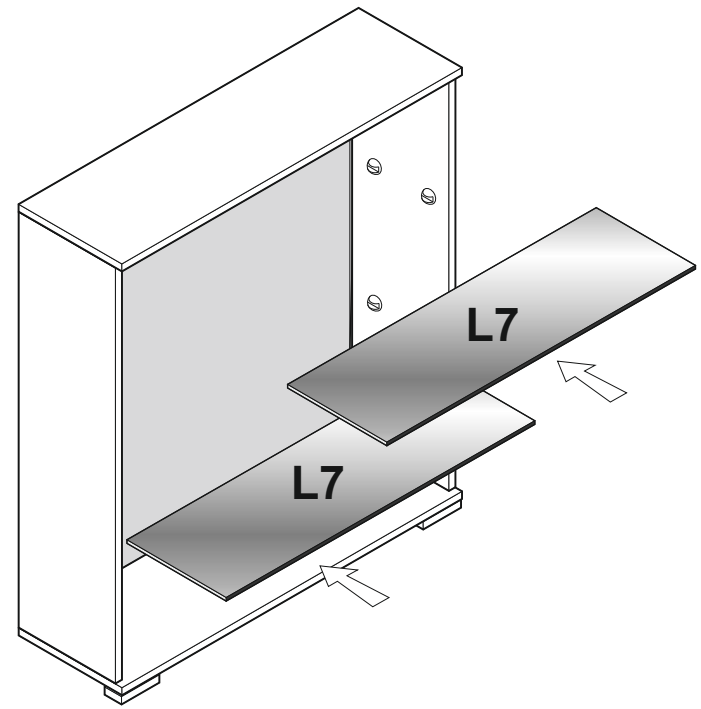
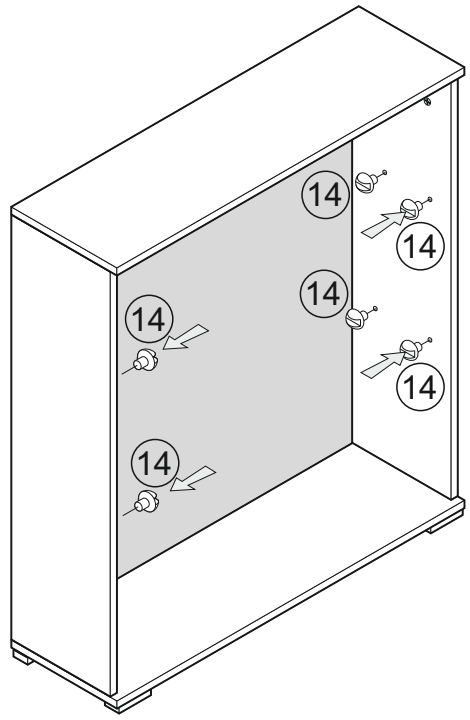
# III



41		X 1
4A		X 1

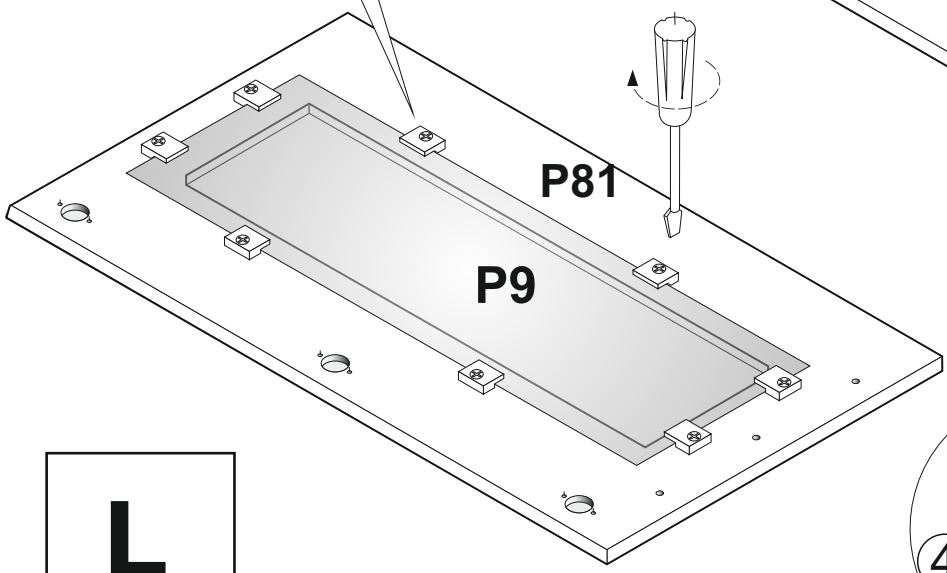
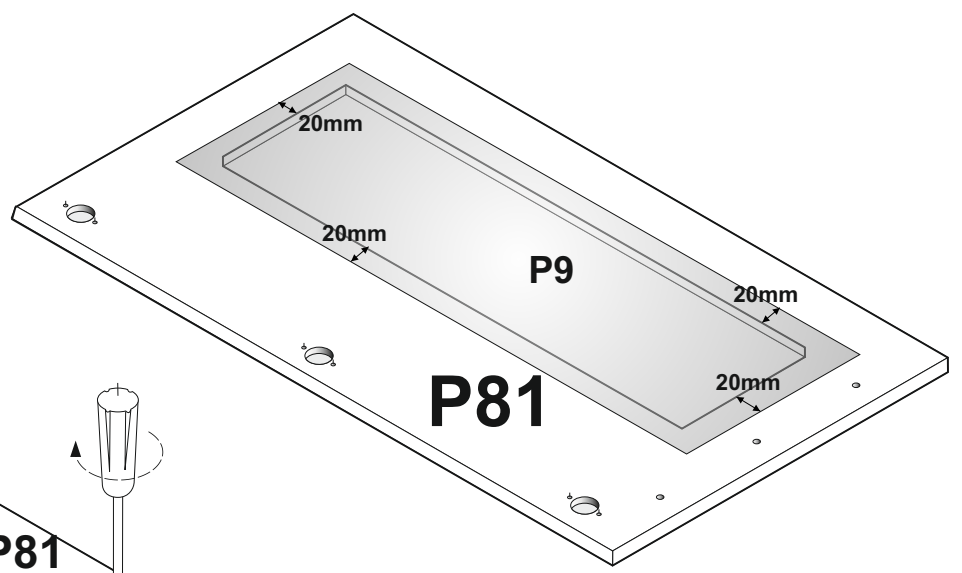
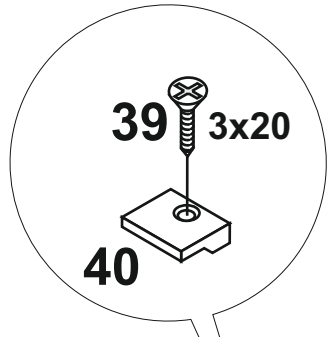


# IV

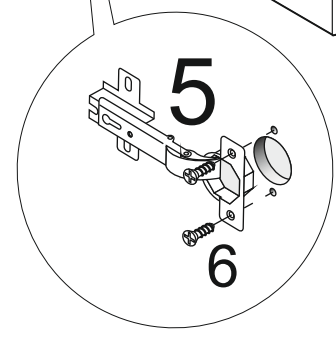
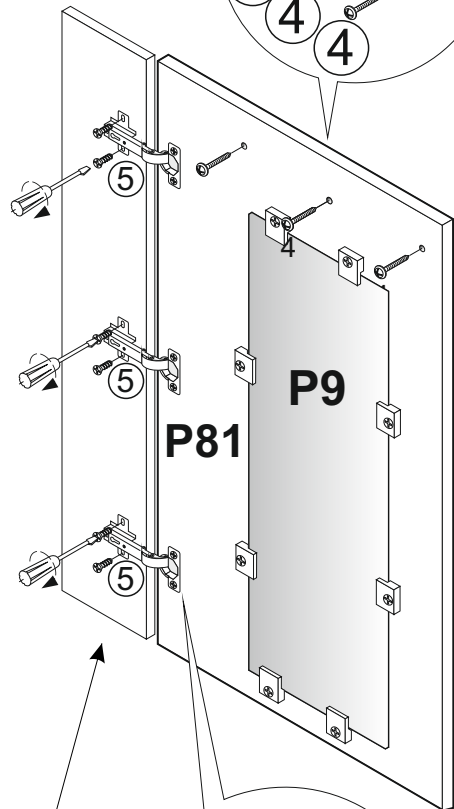
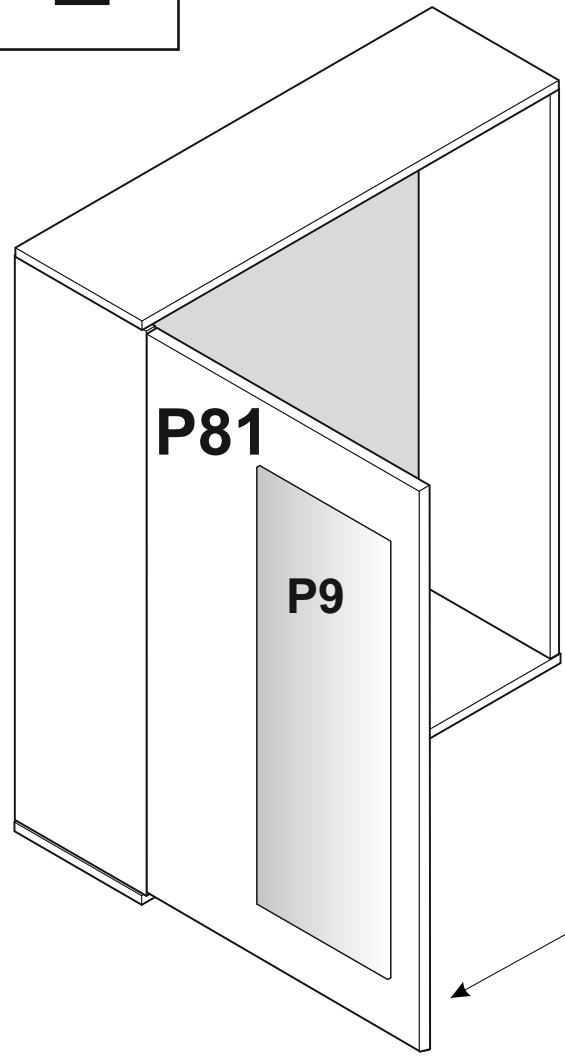
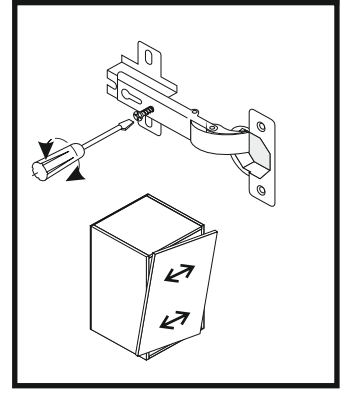
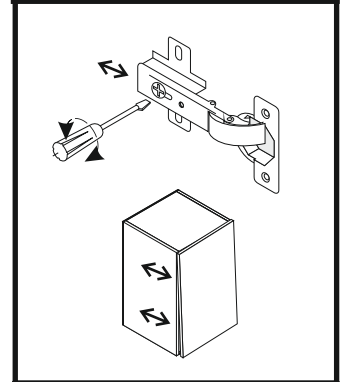
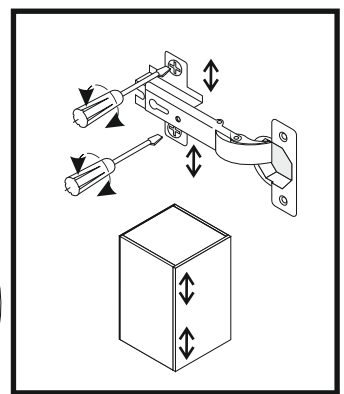
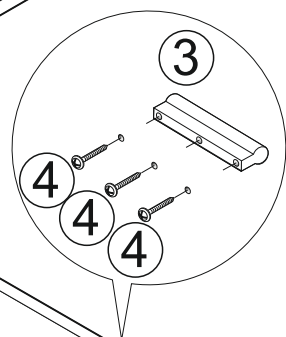




**V**

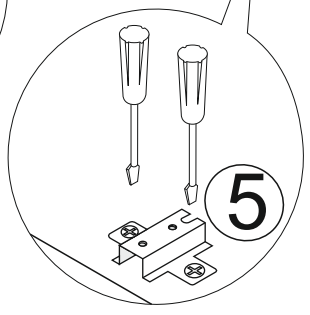
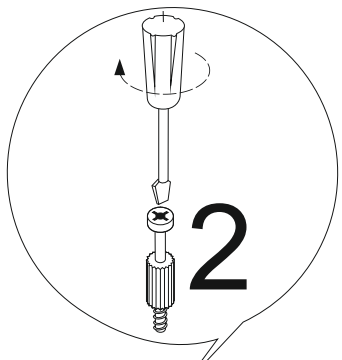
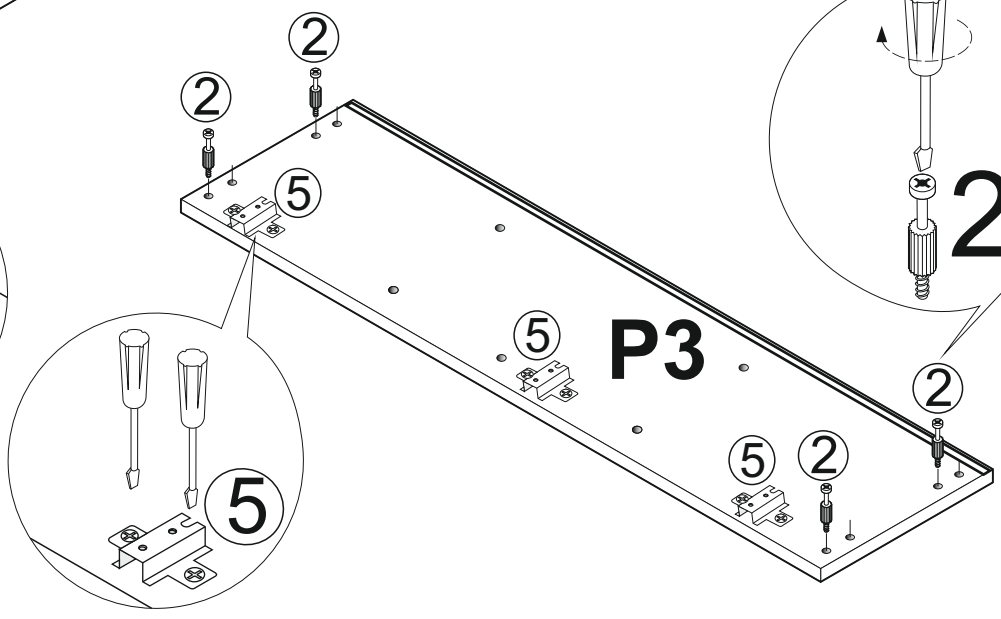
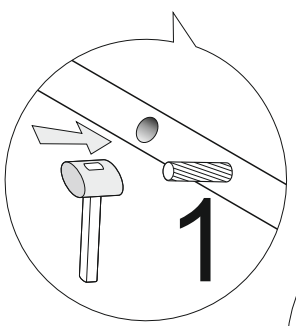
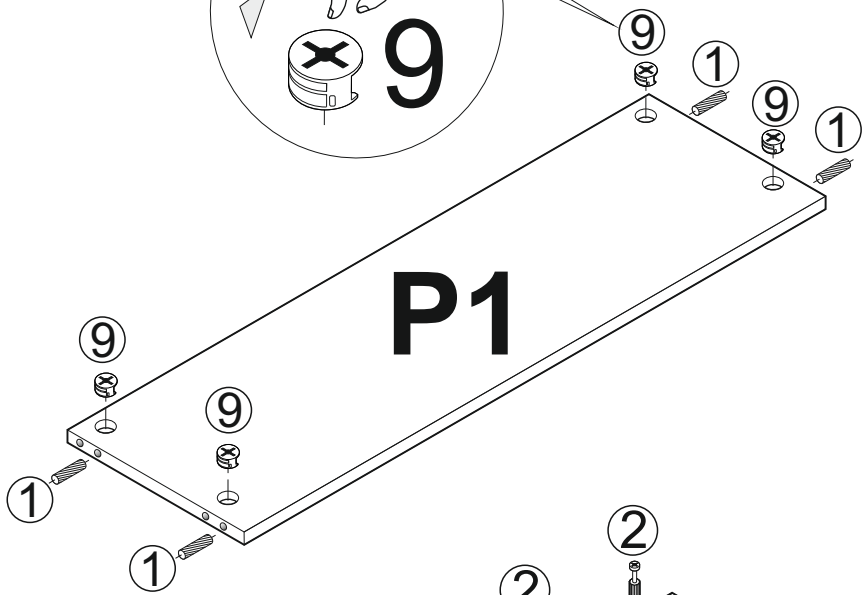
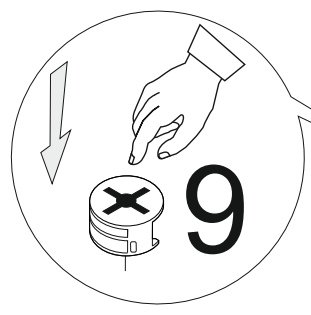
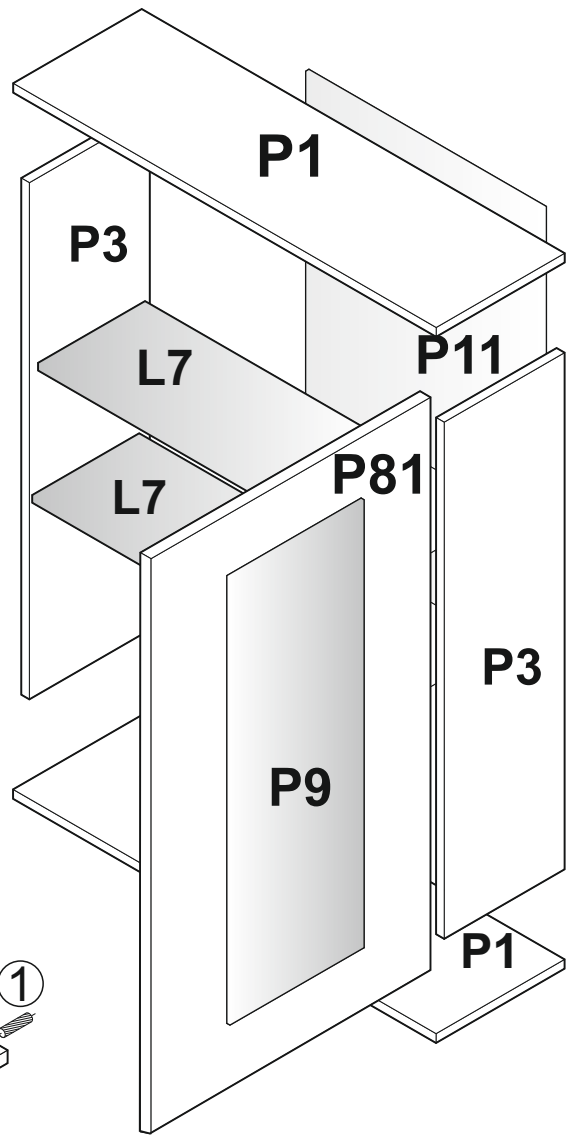


**L**

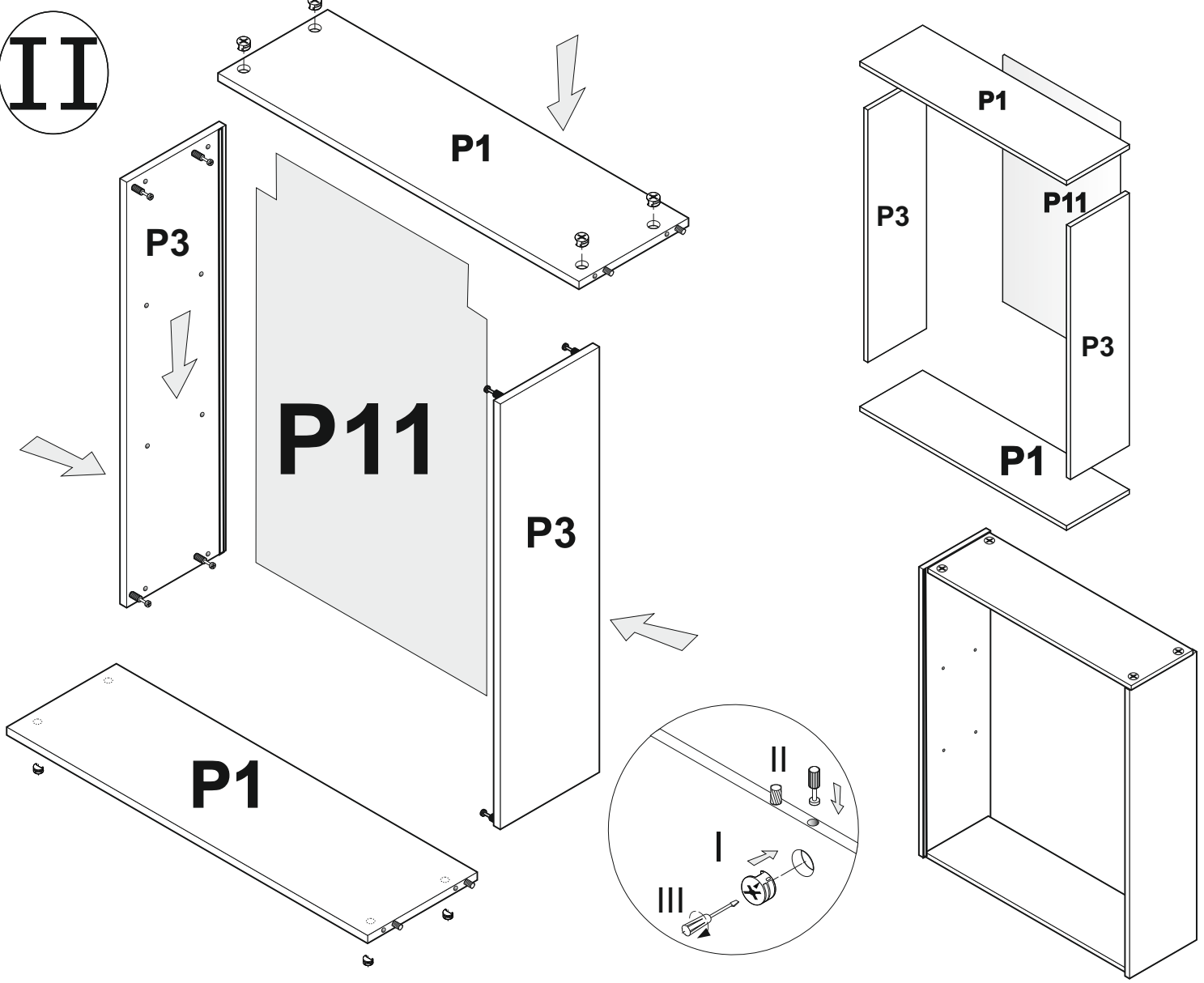


# I

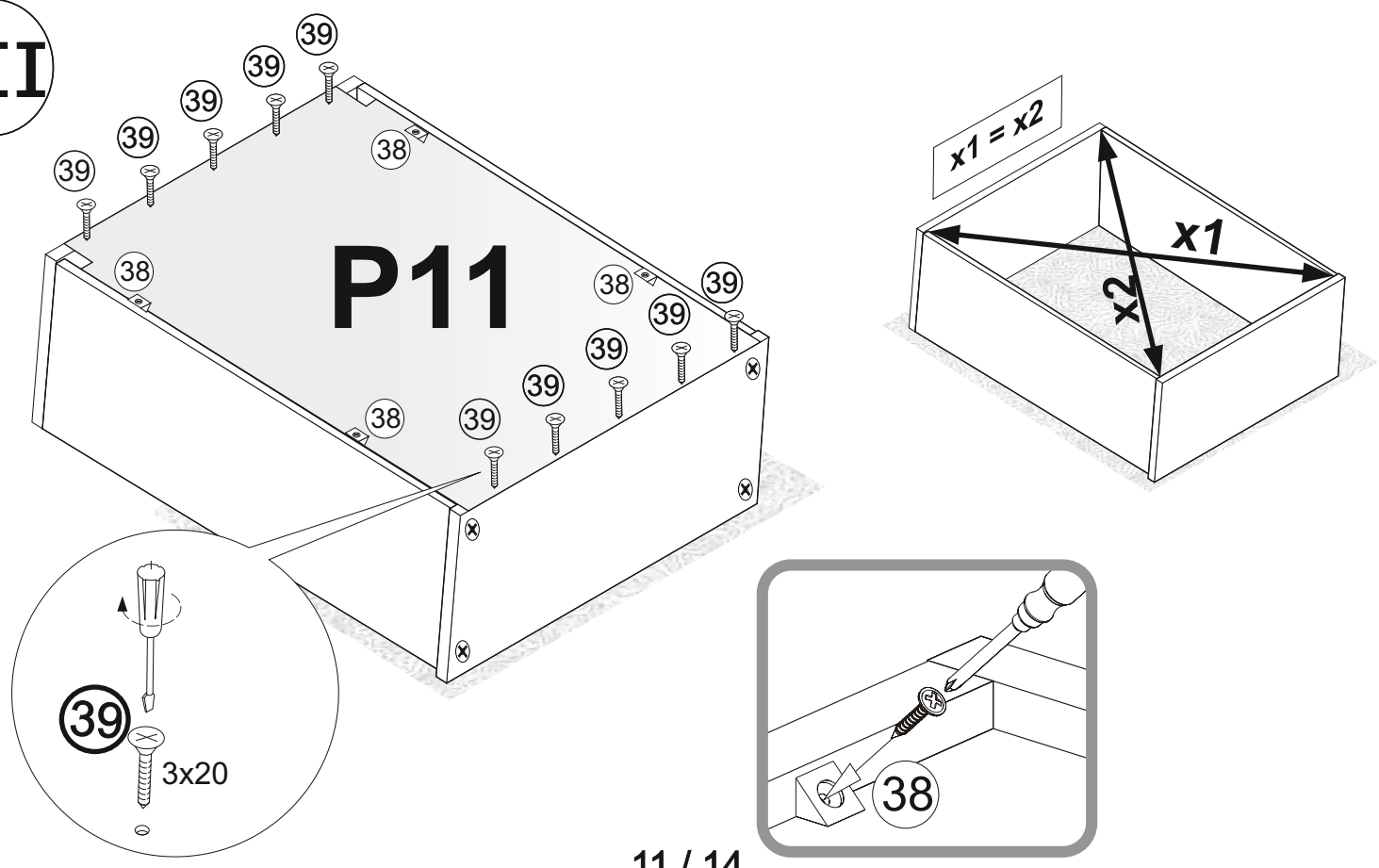
P1	568mm x 294mm
P3	1034mm x 314mm
P11	1028mm x 578mm
P81	1028mm x 596mm



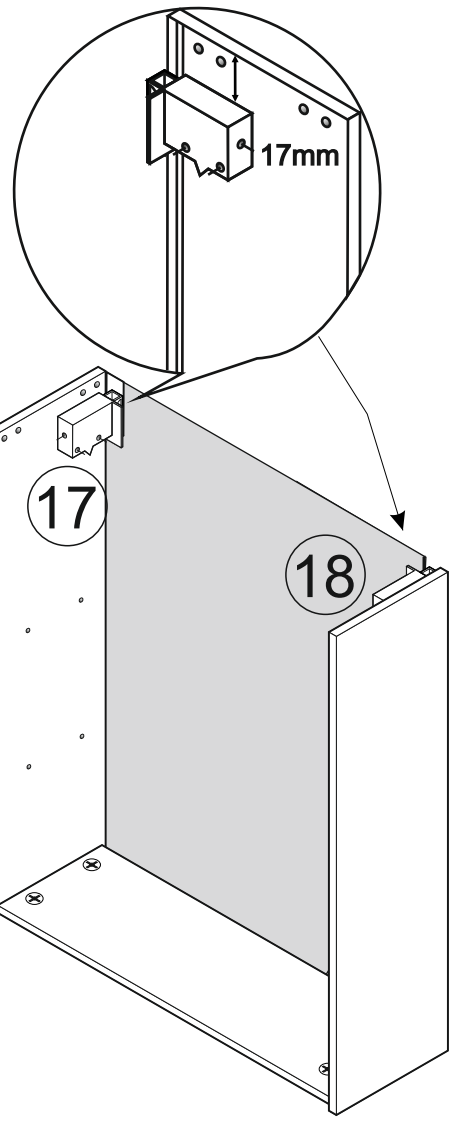
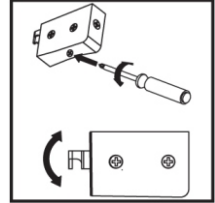
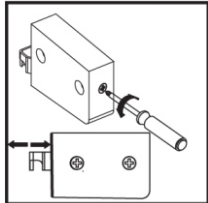
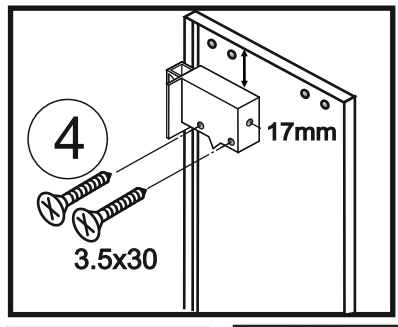
# II



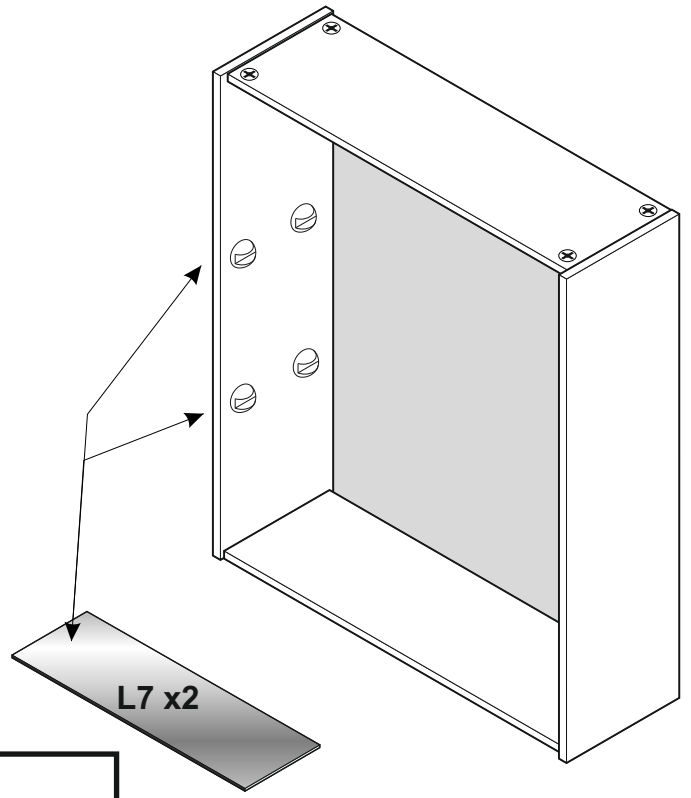
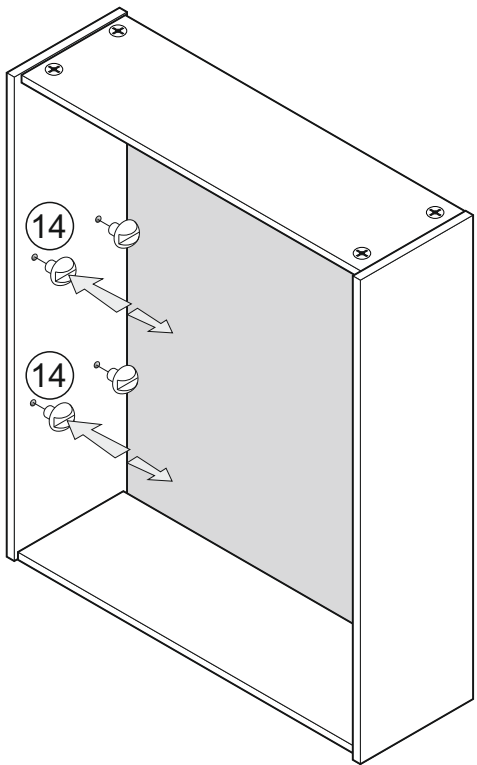
# III



# IV

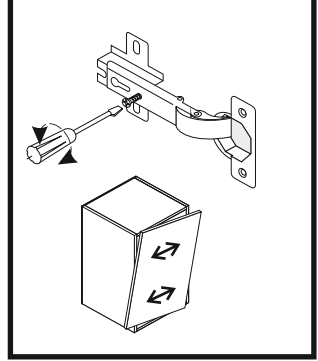
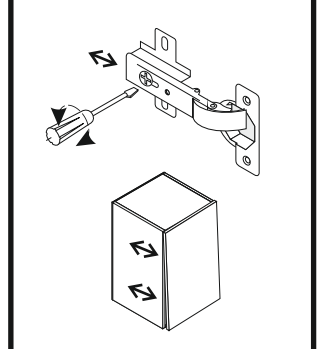
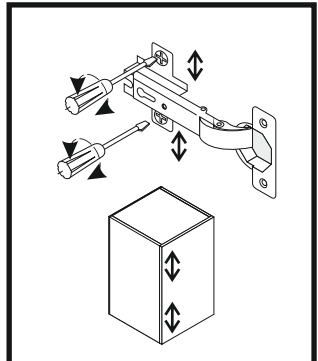
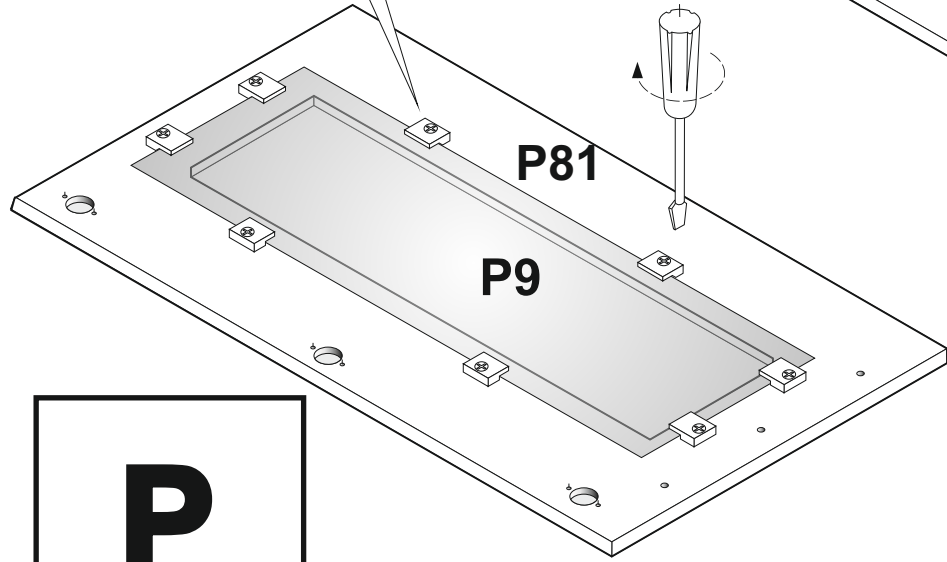
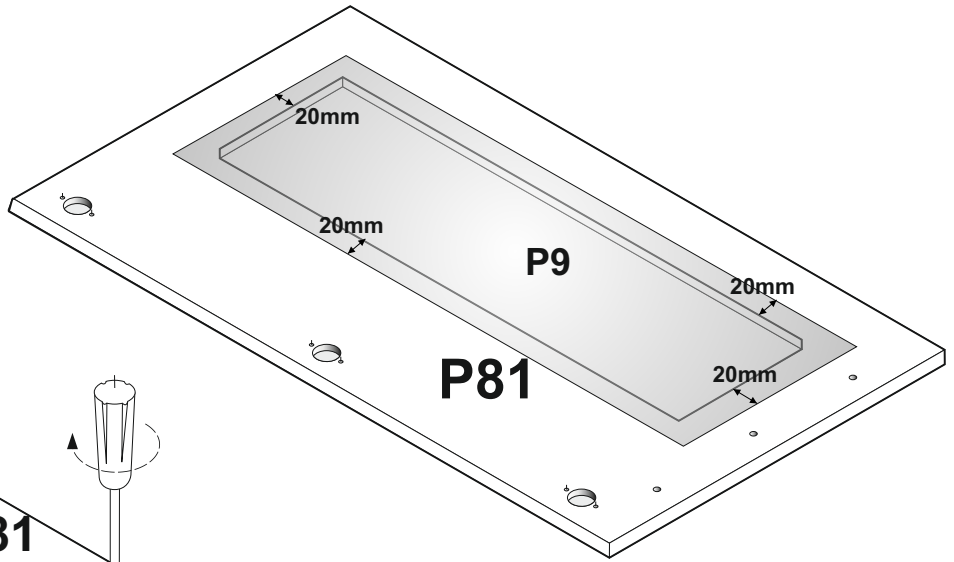
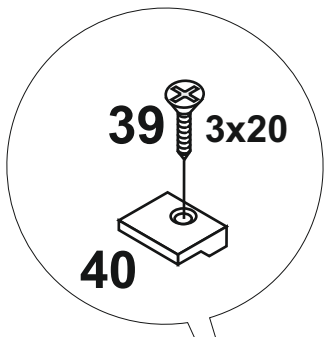


# V

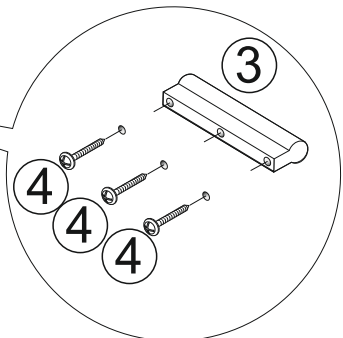
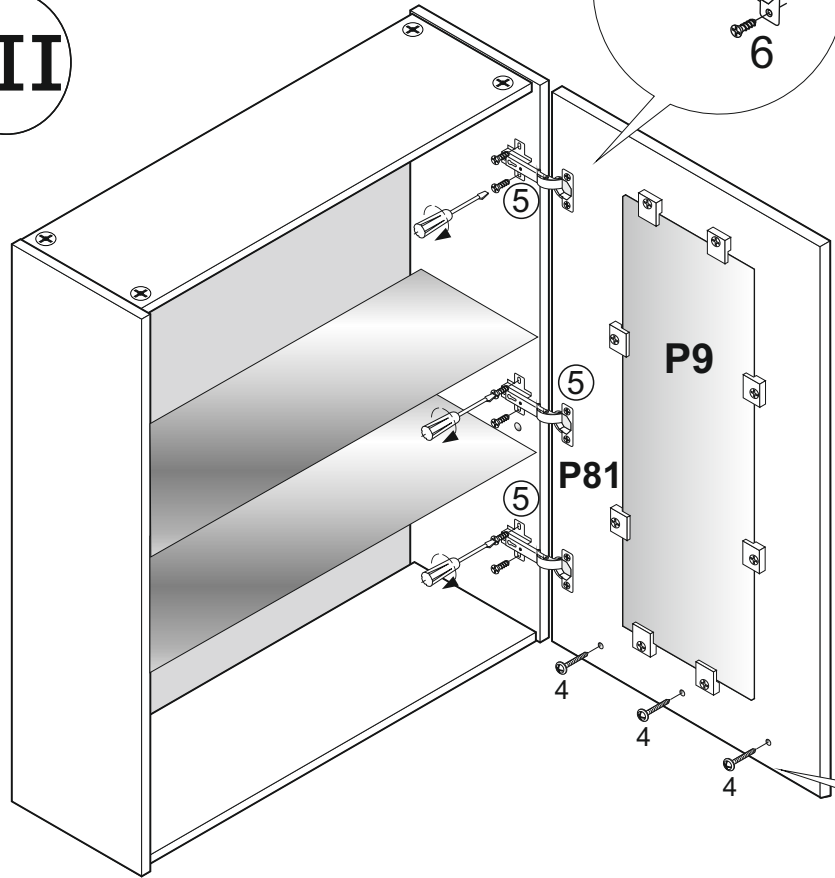
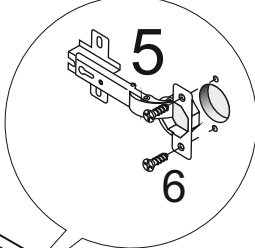


# P

**VI**



**VII**



**(N)**  
**N91 1500mm x 195mm**  
**N92 1498mm x 195mm**

