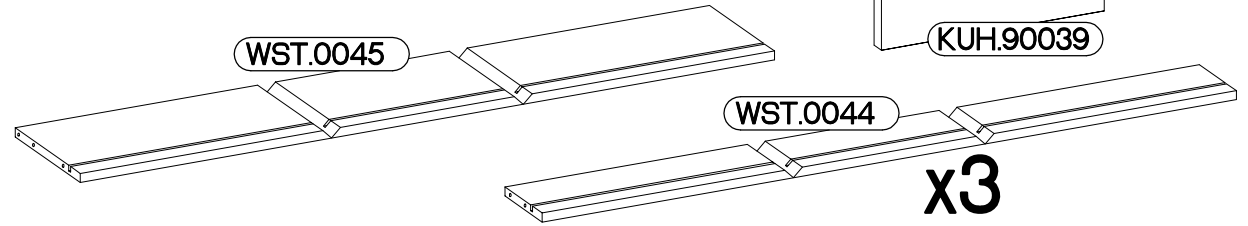
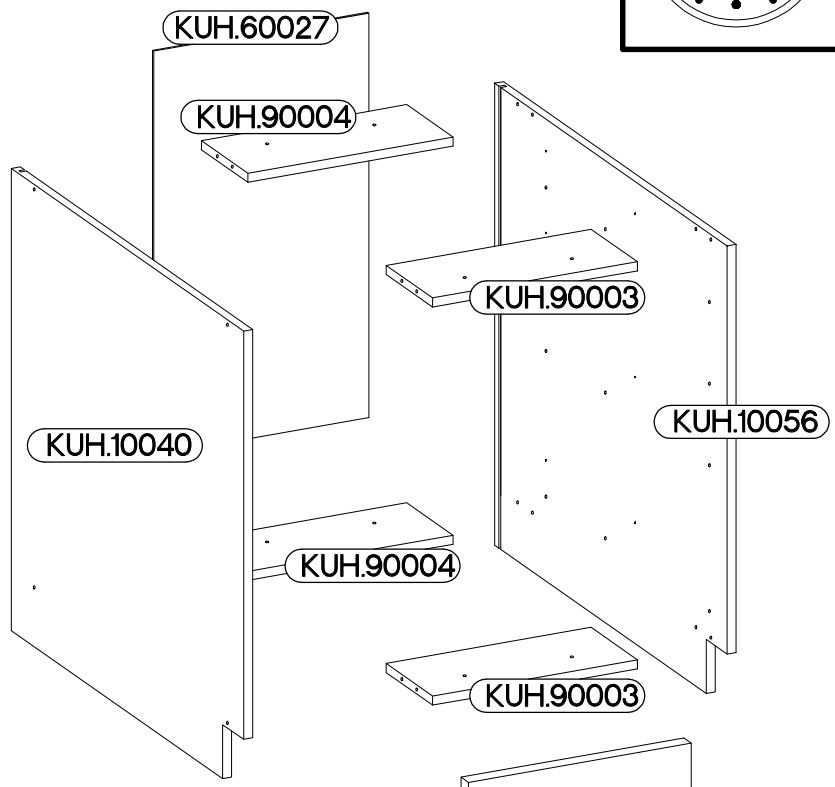
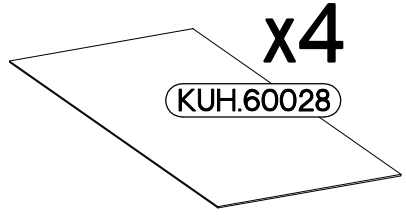
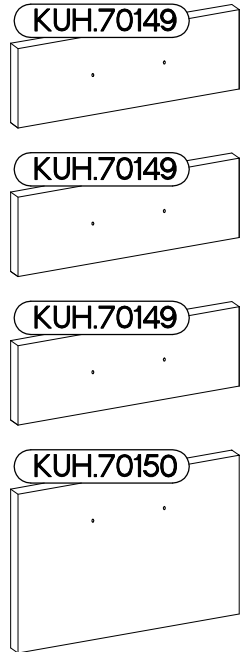
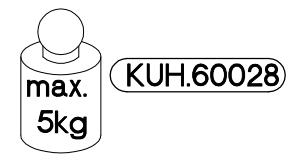
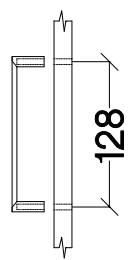
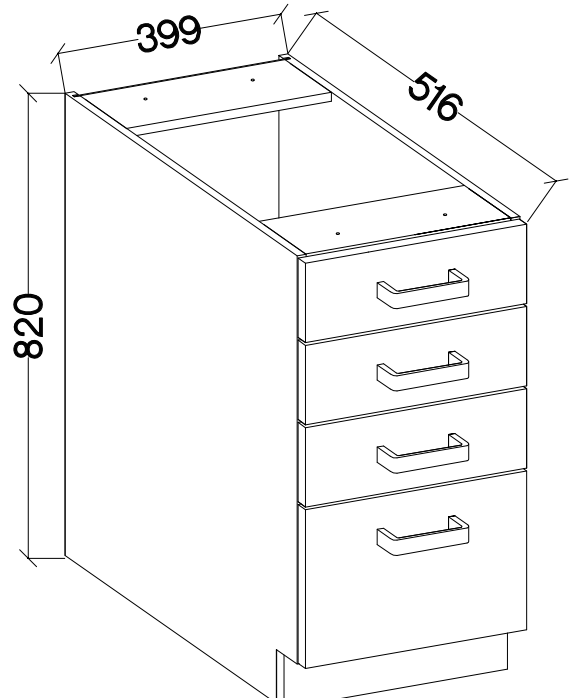
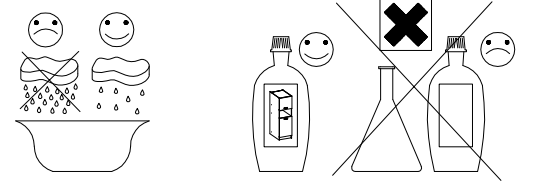
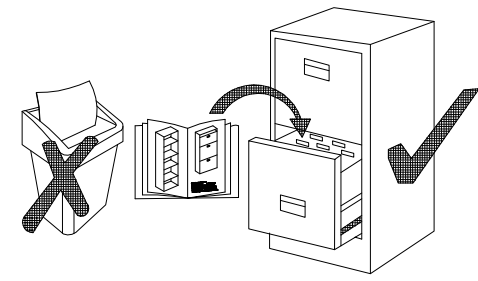


40 D 4S BB

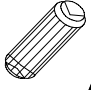



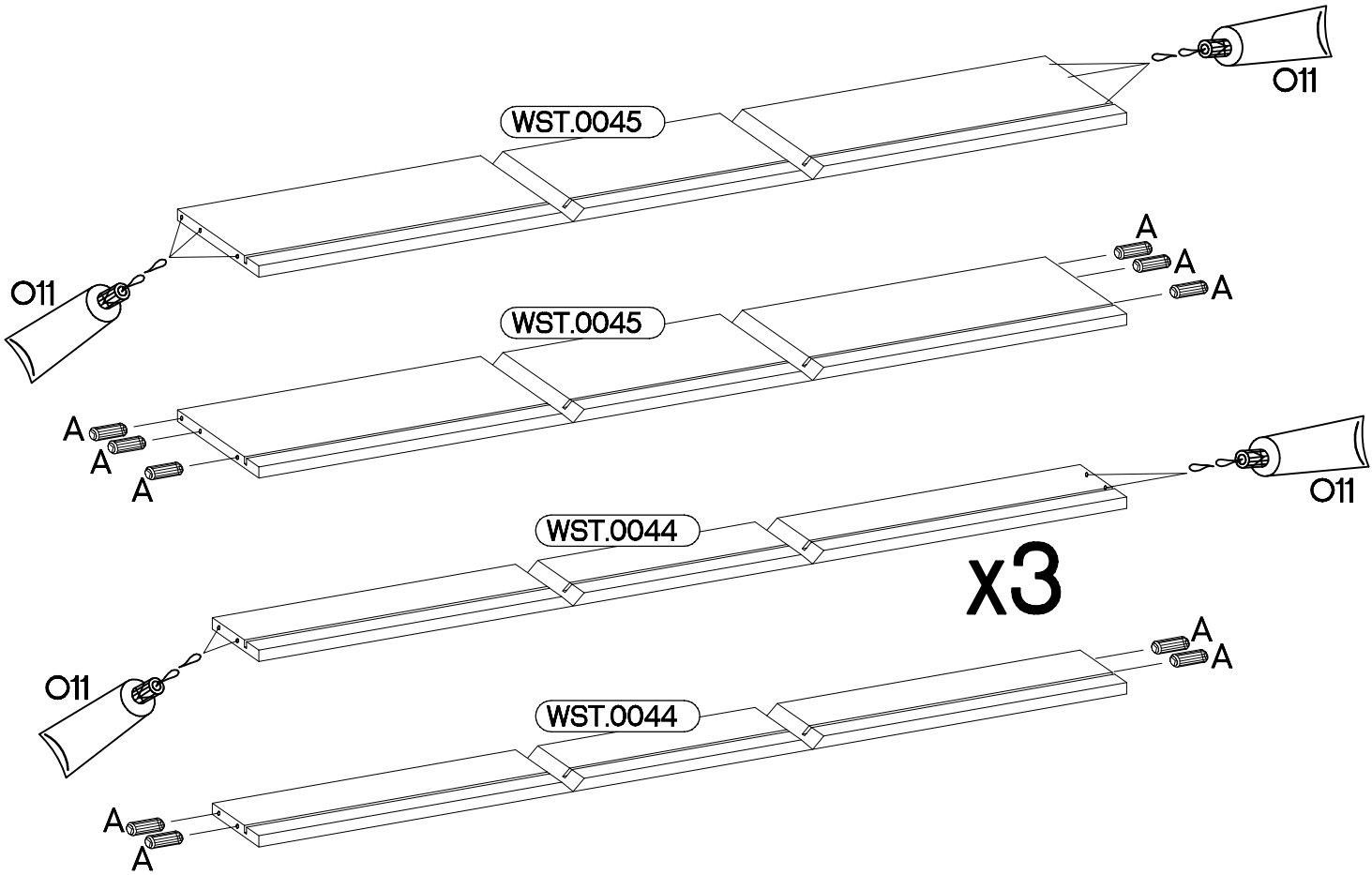
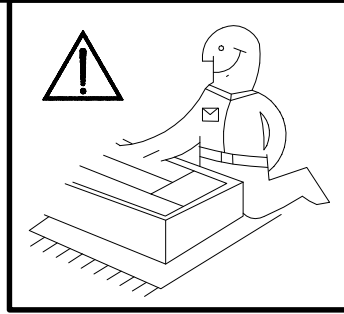
 A 26	 B 8	 E1 8	 E9 2	 F2 4	 I5 4
 M 24	 O 1	 O11 1	 P4 2	 P5 32	 P6 12
 P7 8-10	 R3 4	 S23 4	 U 8	 Z3 4	 Z4 4




ISM-KUH-00918

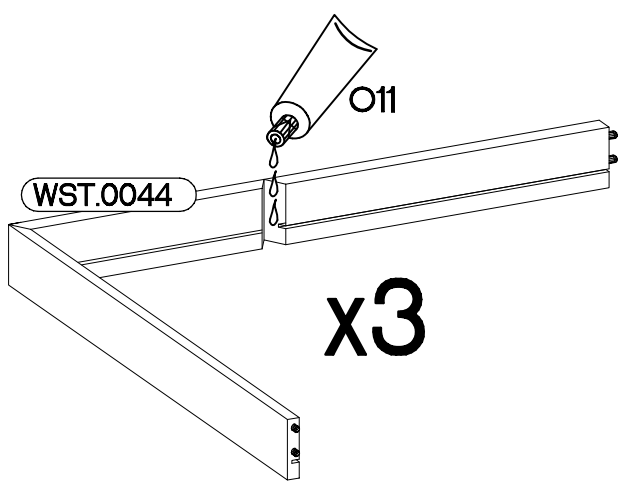
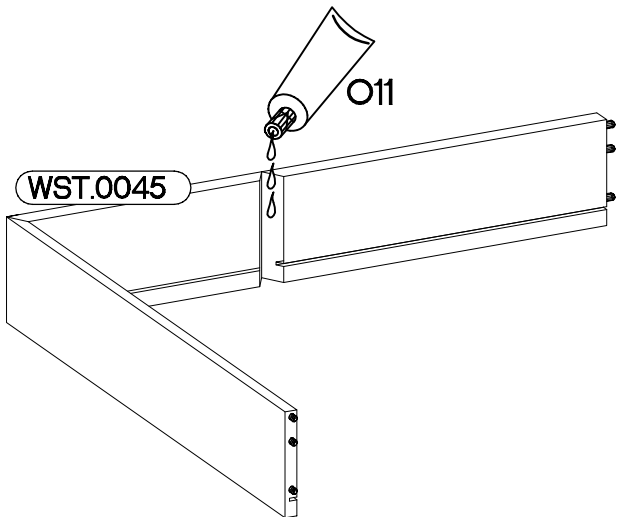
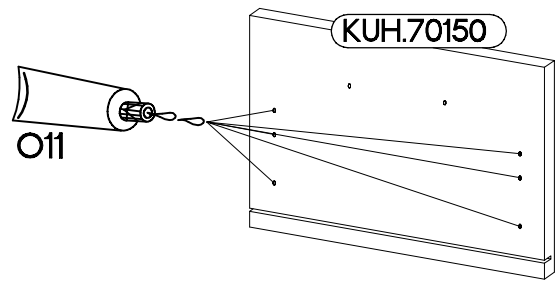
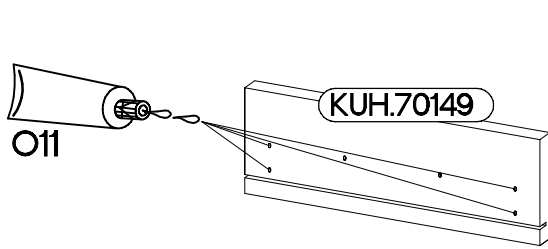
1

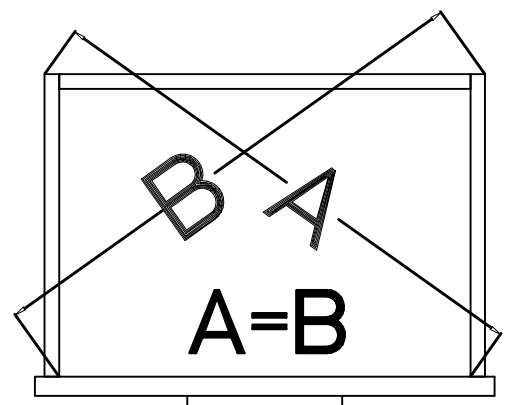
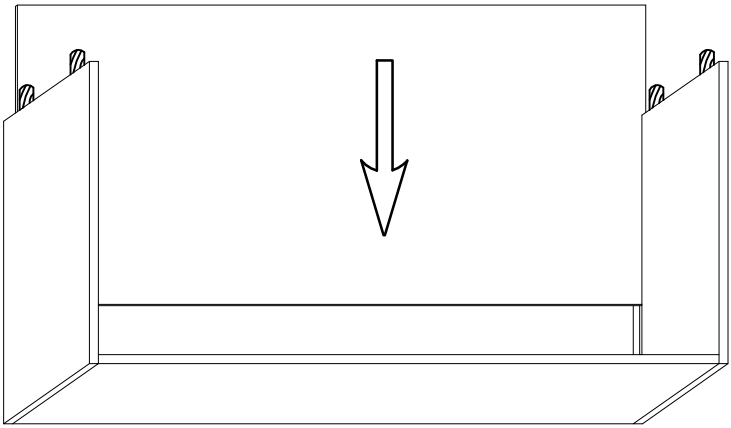
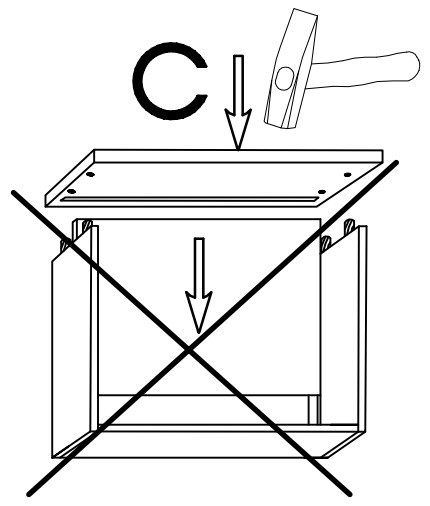
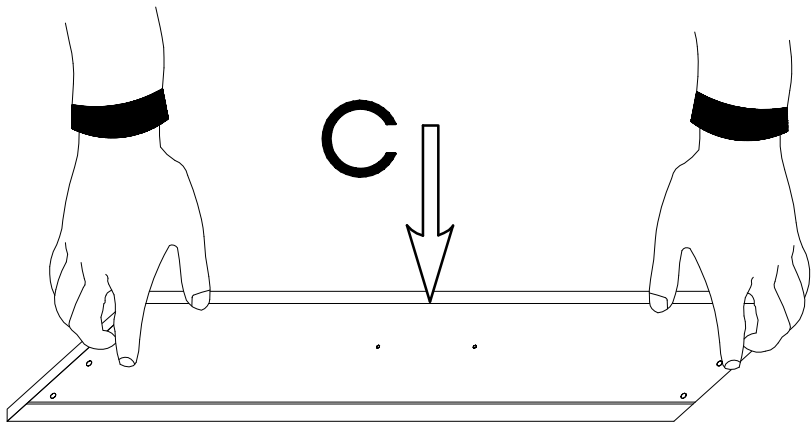
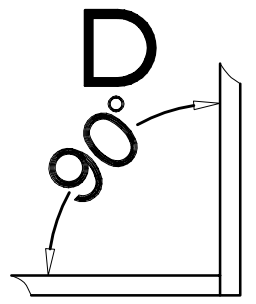
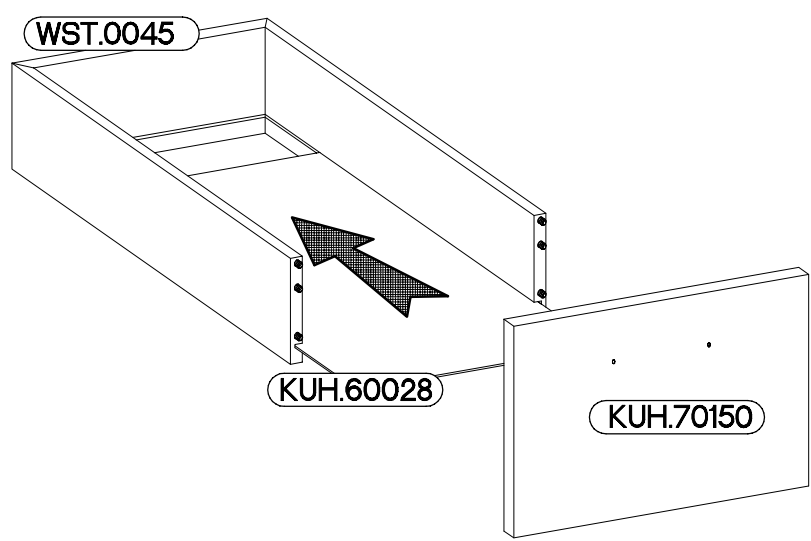
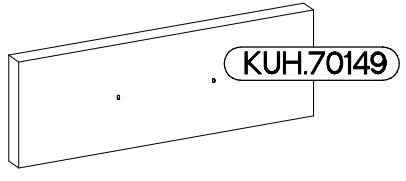
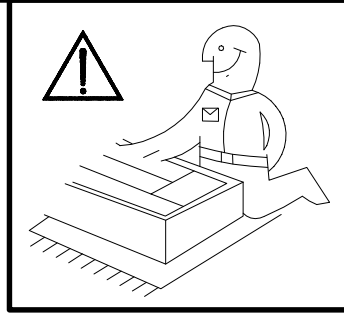
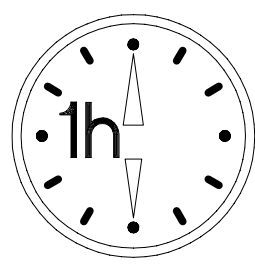
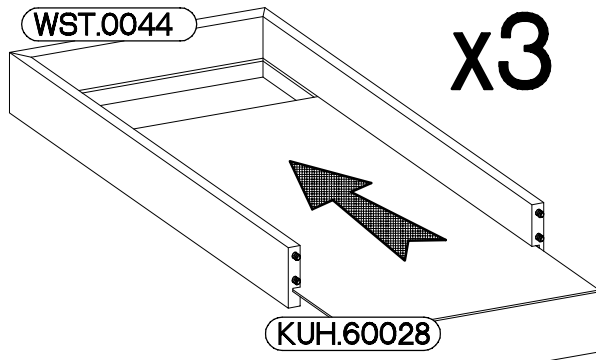
†8x30mm  A 18	0,05  O11 1
--	--



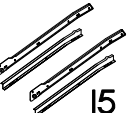

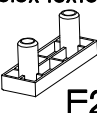
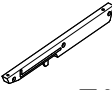

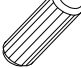
2

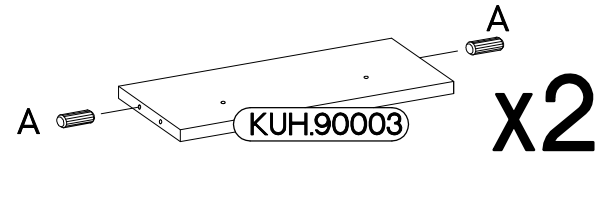
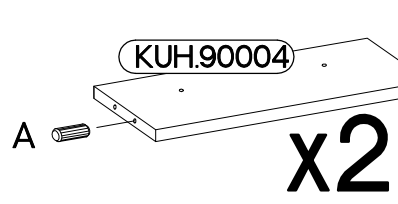
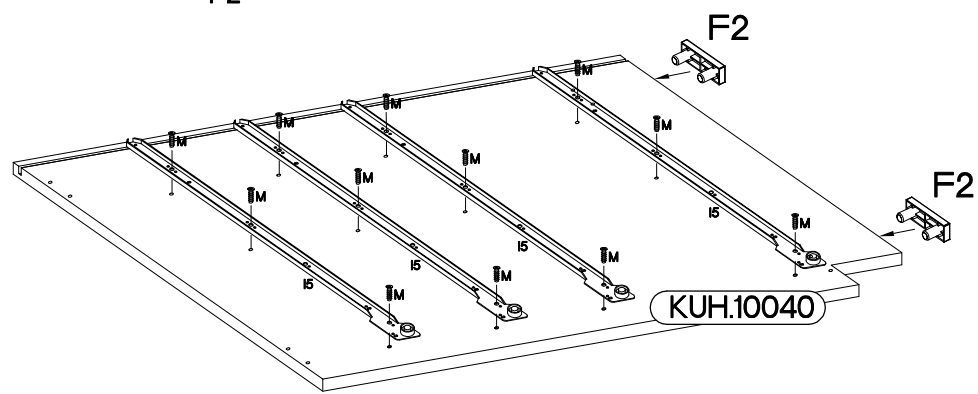
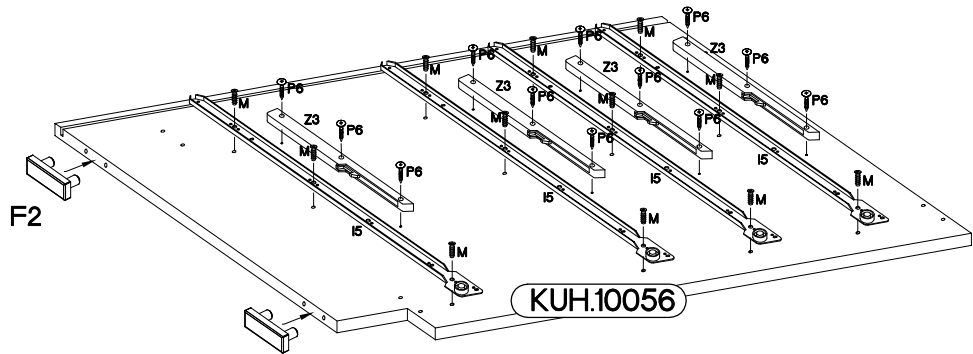
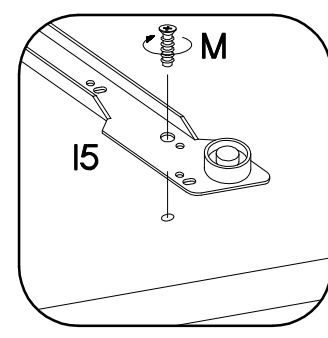
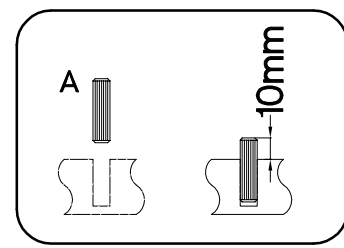
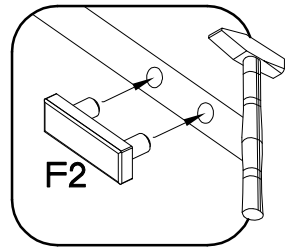
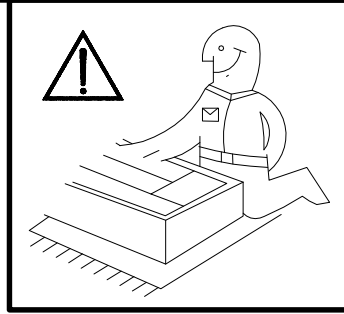
0,05  O11 1
---




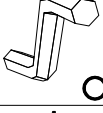



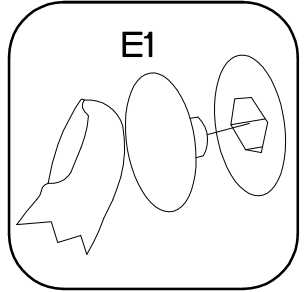
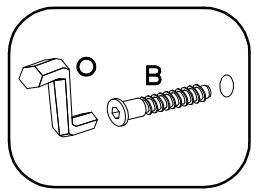
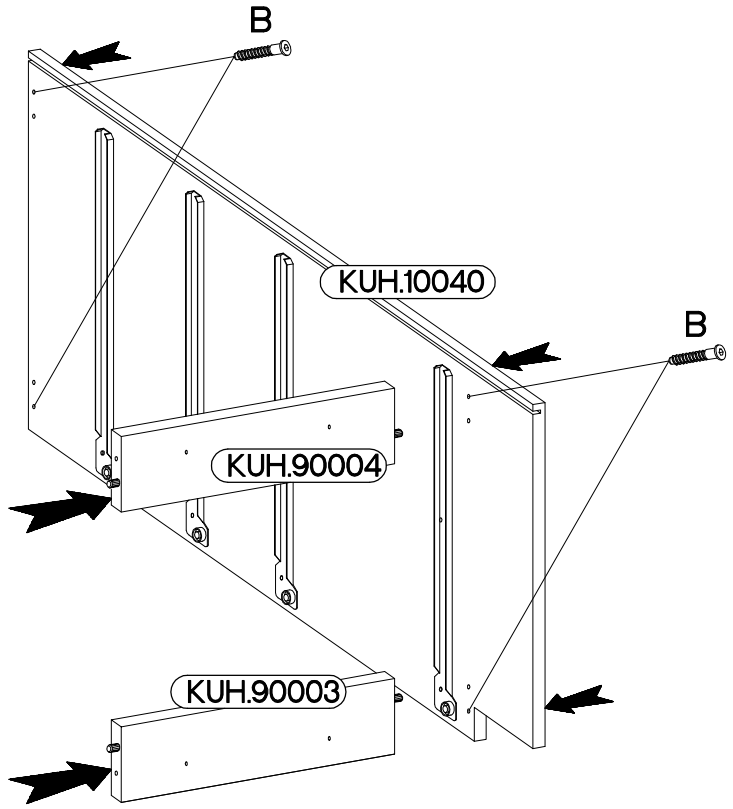
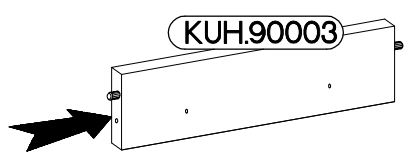
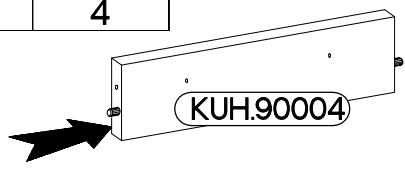
# 4

L=450mm  I5 4	±5.0x13mm  M 24	6.5x48x16  F2 4	 Z3 4	±3.5x20mm  P6 12	±8x30mm  A 8
--	--	--	---	---	---



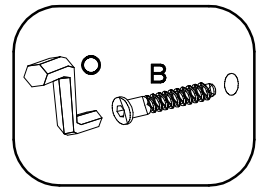
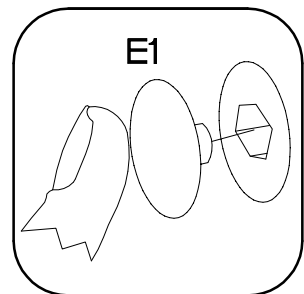
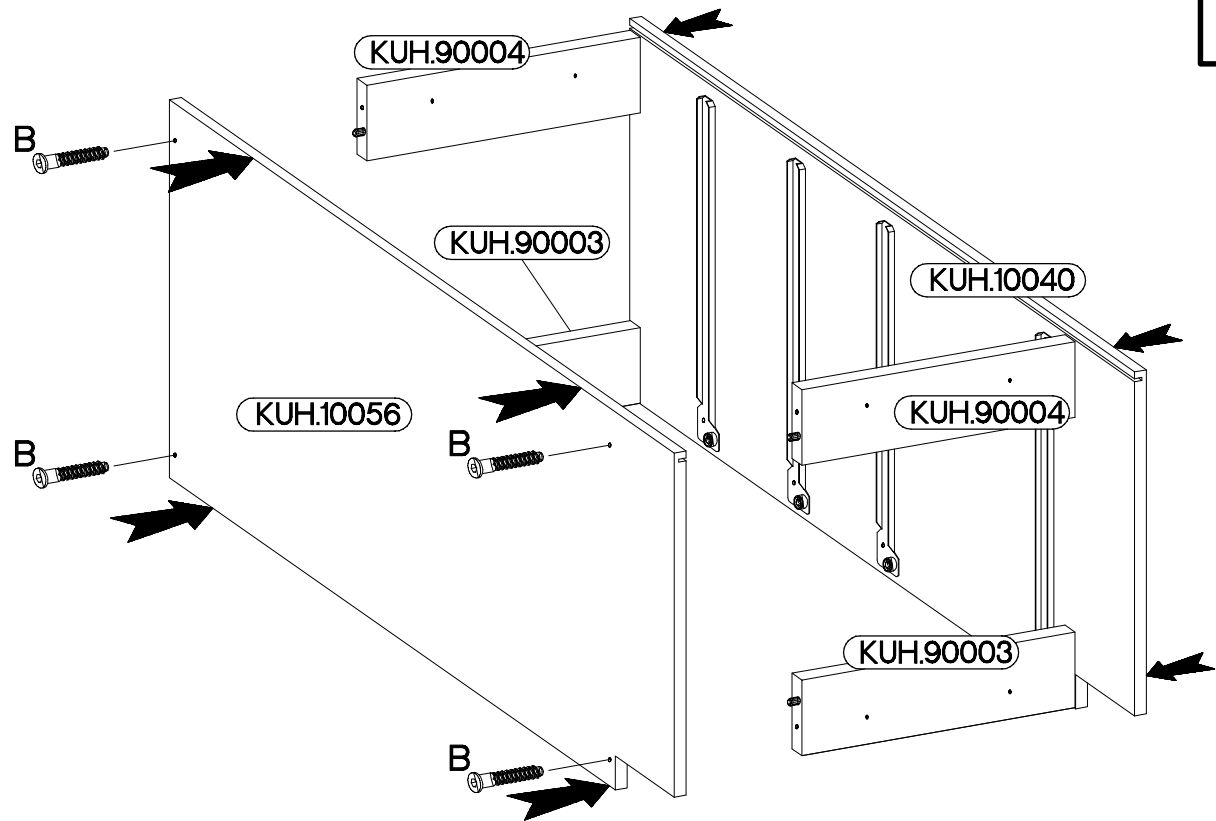
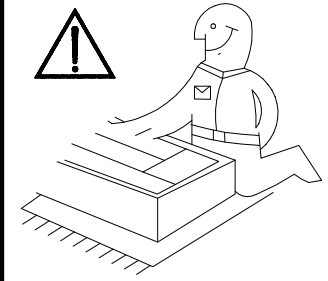
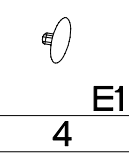
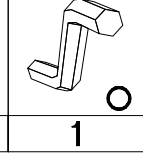
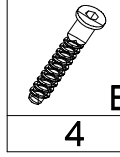
# 5

6,4 x 50mm  B 4	 O 1	 E1 4
---	---	--

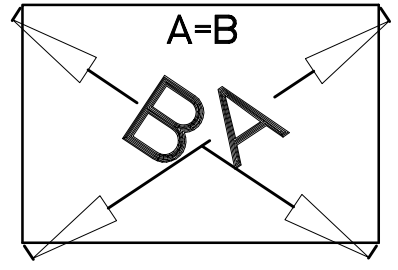
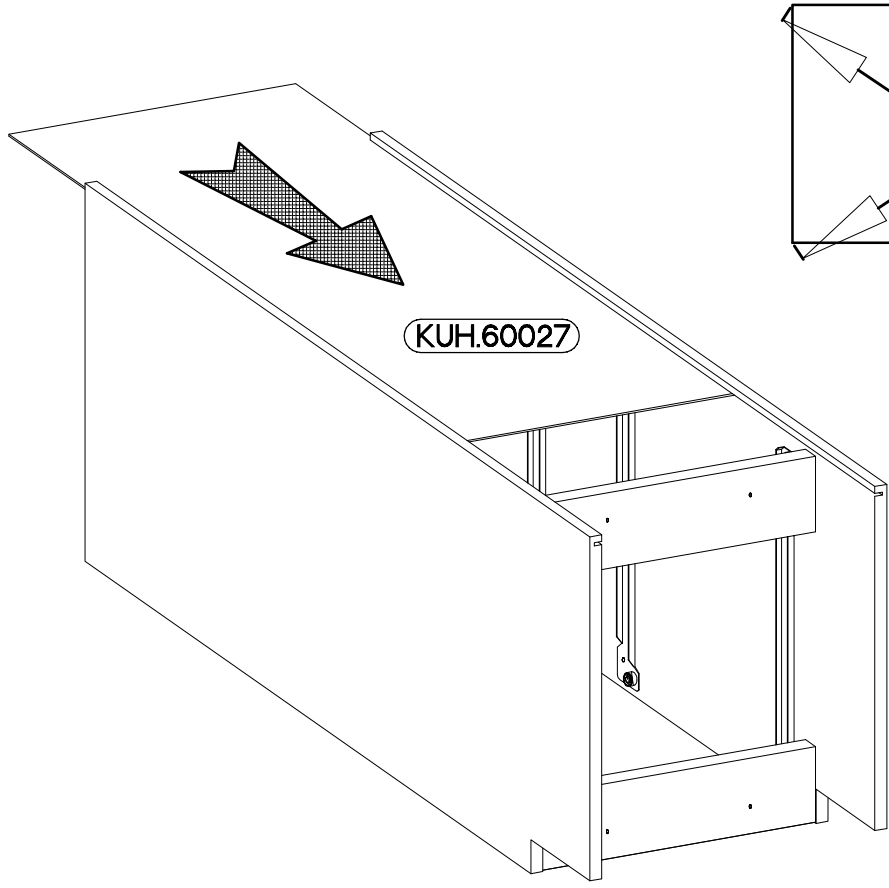


6


6,4 x 50mm

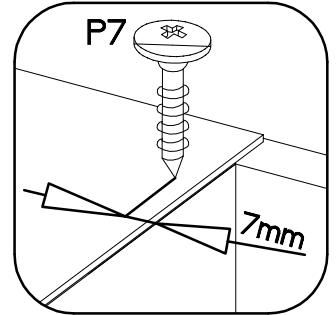
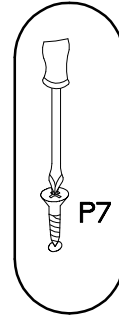
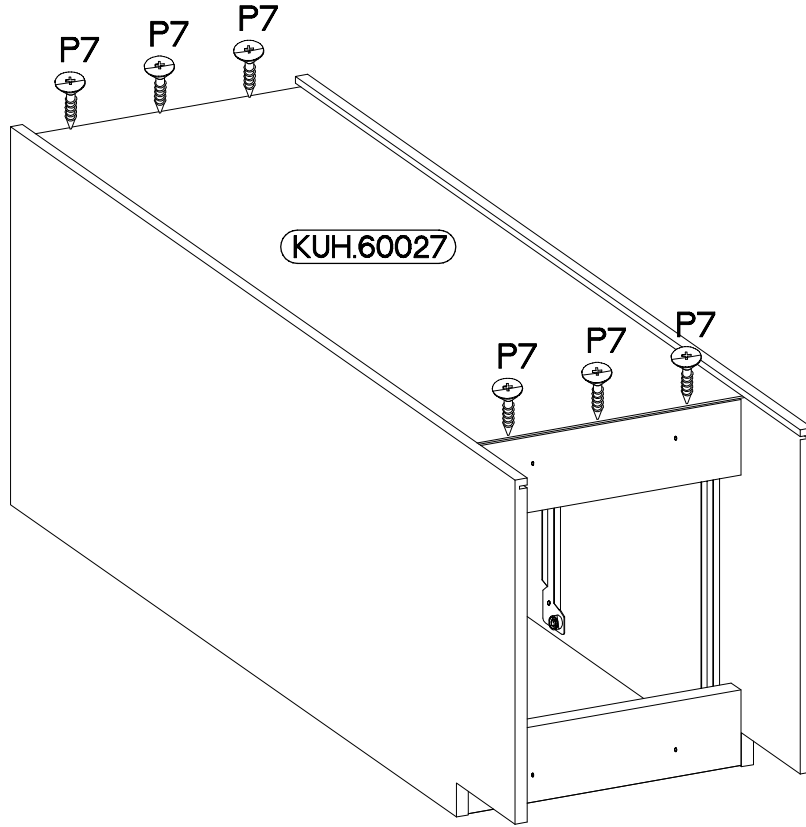
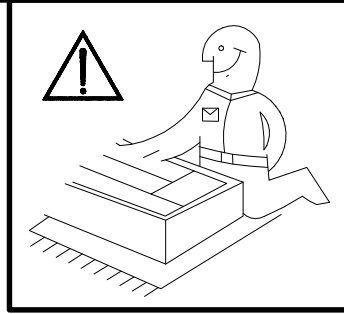


7

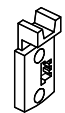



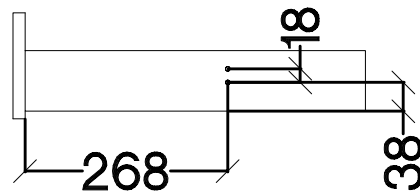
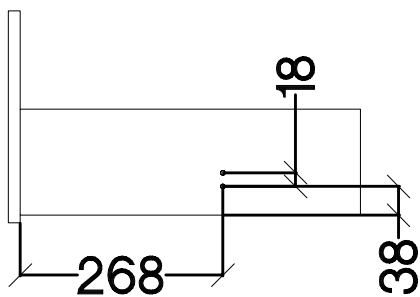
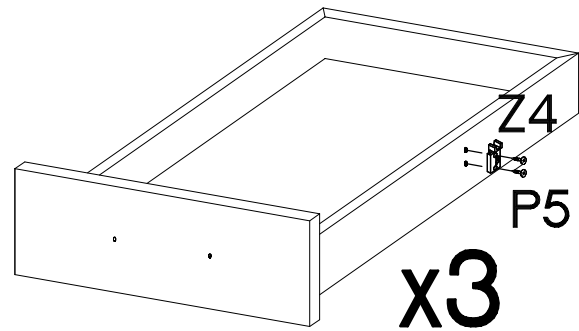
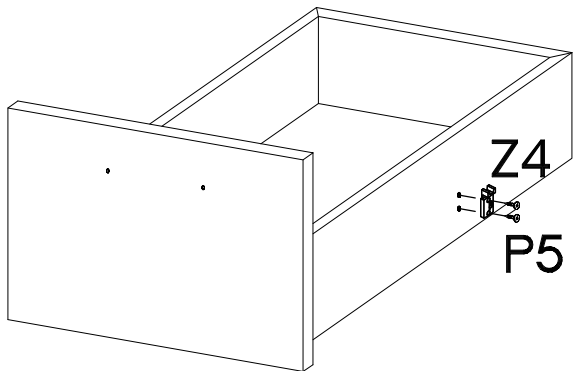
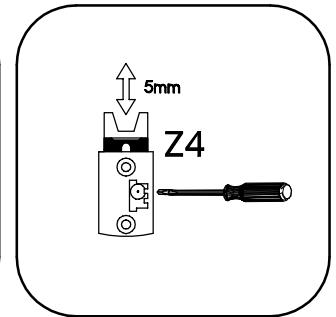
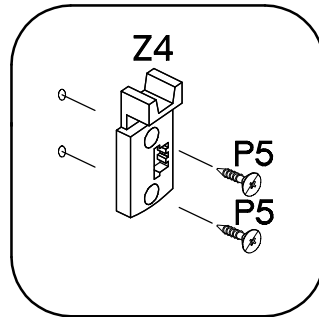
8

±3.0x20mm

P7
8-10





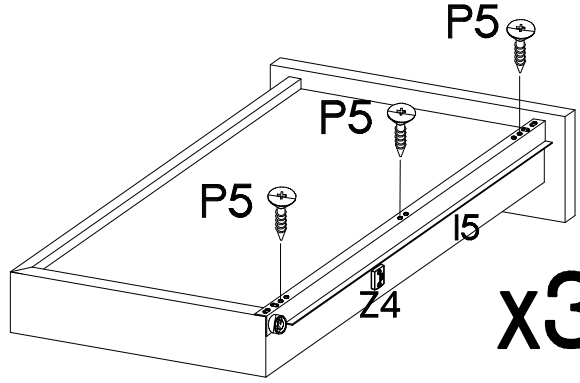
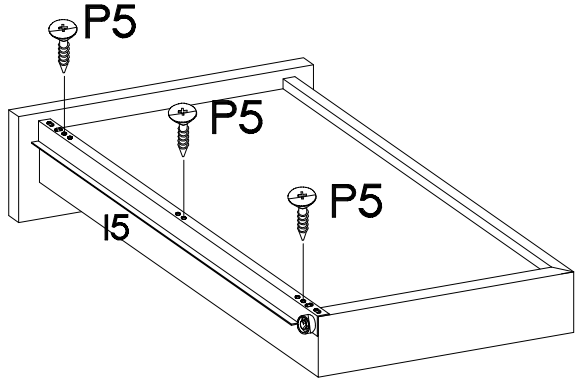
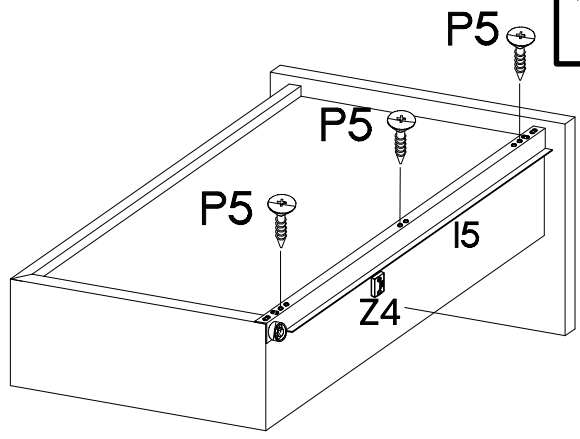
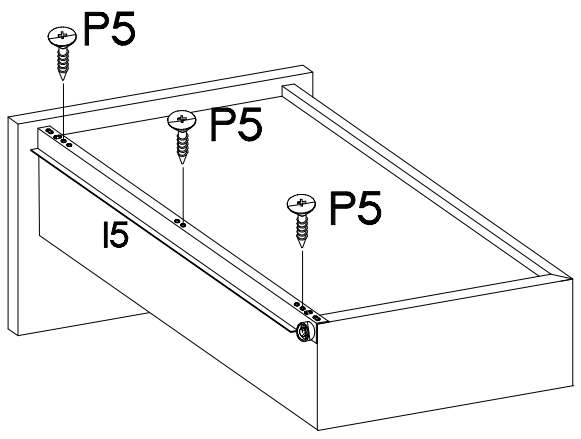
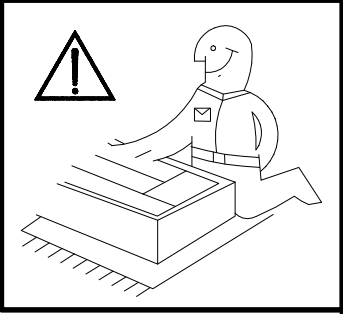
9

±3.5x13mm	
	Z4
8	4




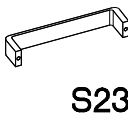
# 10

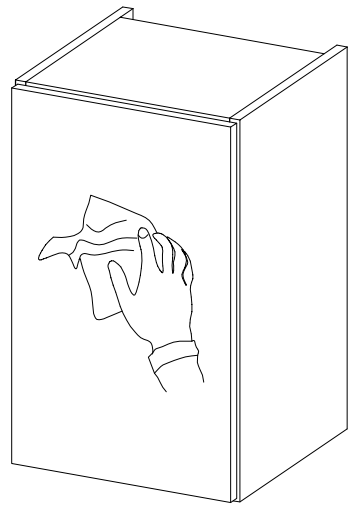
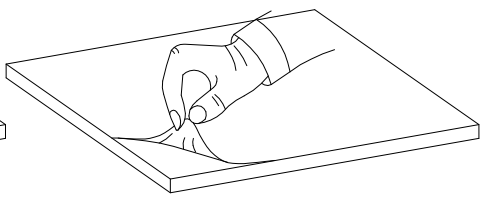
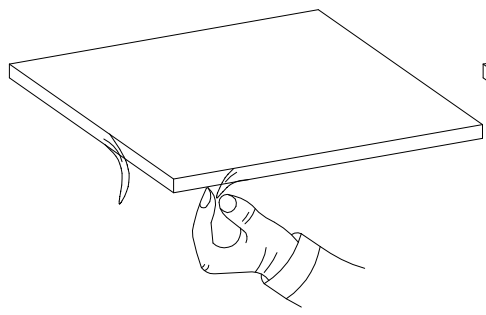
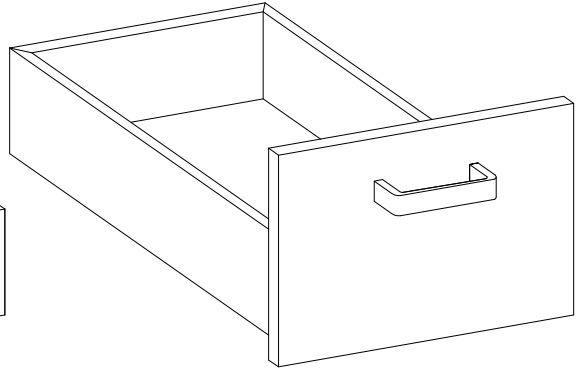
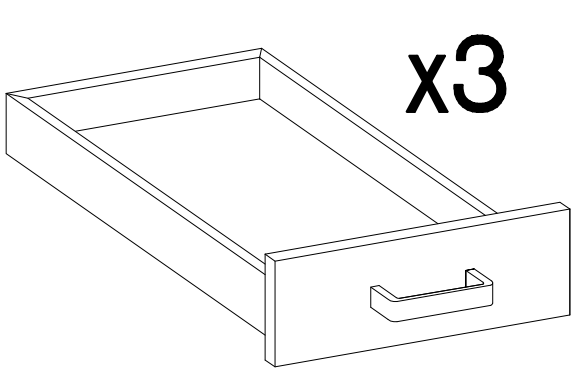
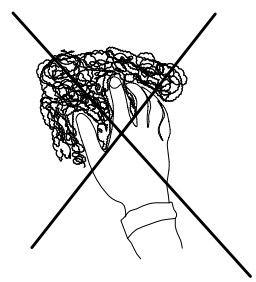
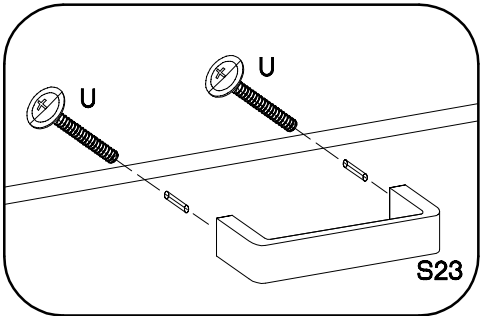
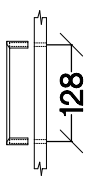
L=450mm  I5 4	+3.5x13mm  P5 24
--	---





# x3

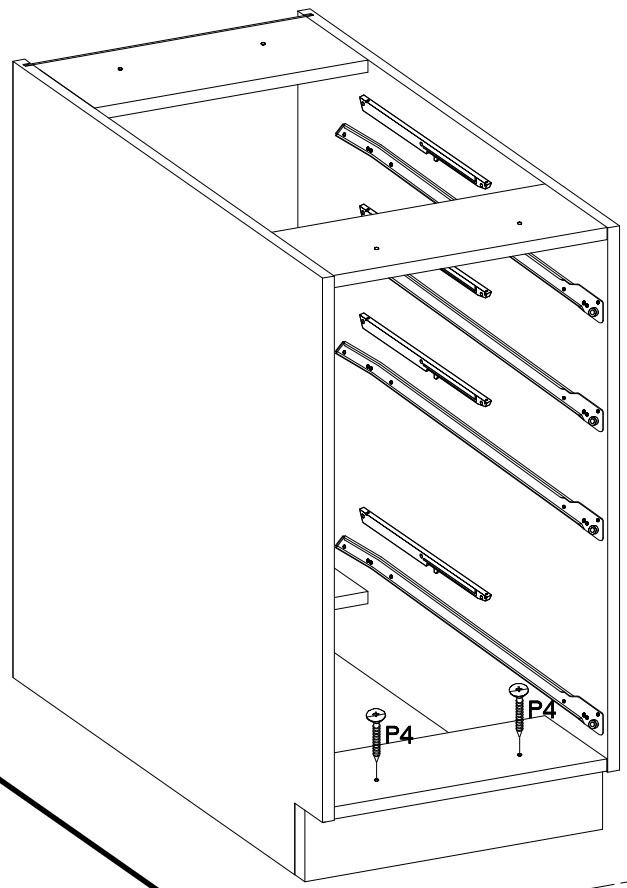
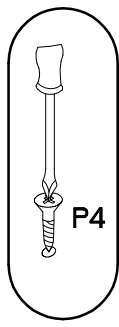
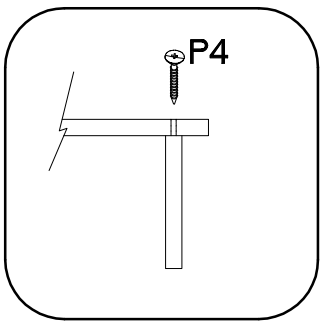
# 11

M4x22mm  U 8	 S23 4
--	---

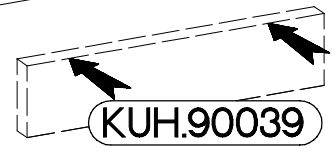
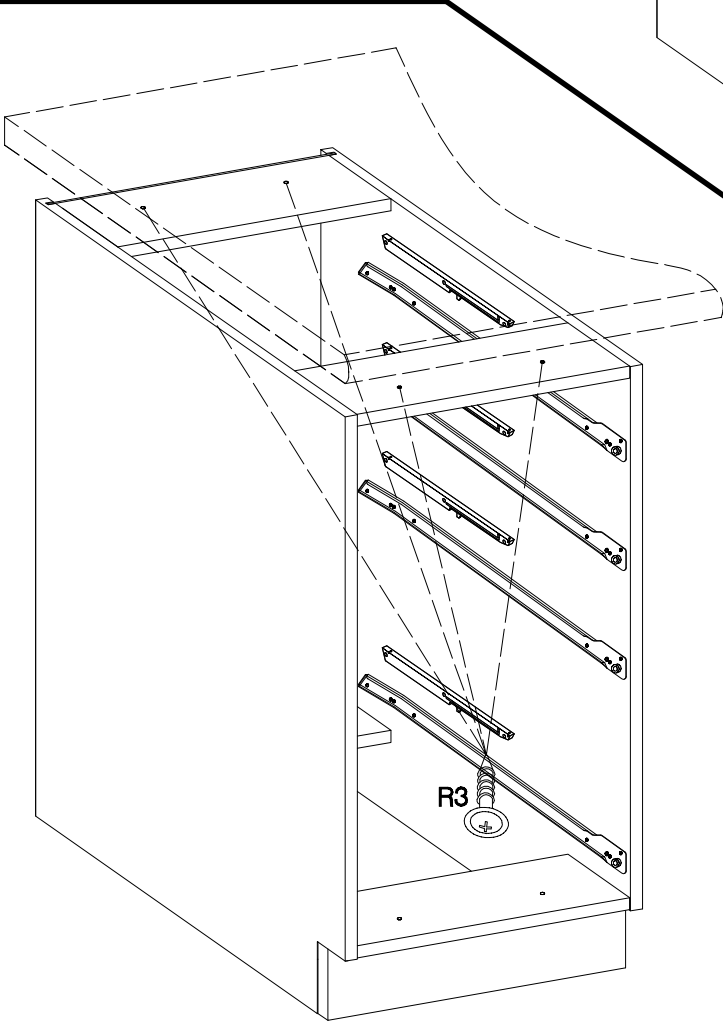



12

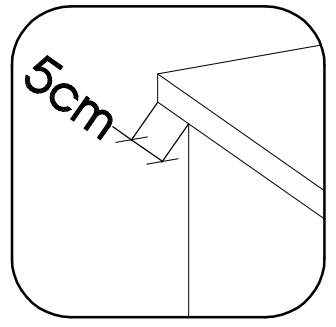
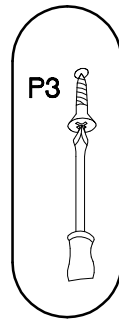
$\pm 4.0 \times 45 \text{mm}$  <b>P4</b> 2	 <b>E9</b> 2
---	--



13



$\pm 4.0 \times 35 \text{mm}$  <b>R3</b> 4
--



13

