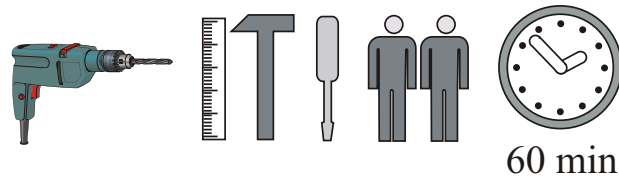
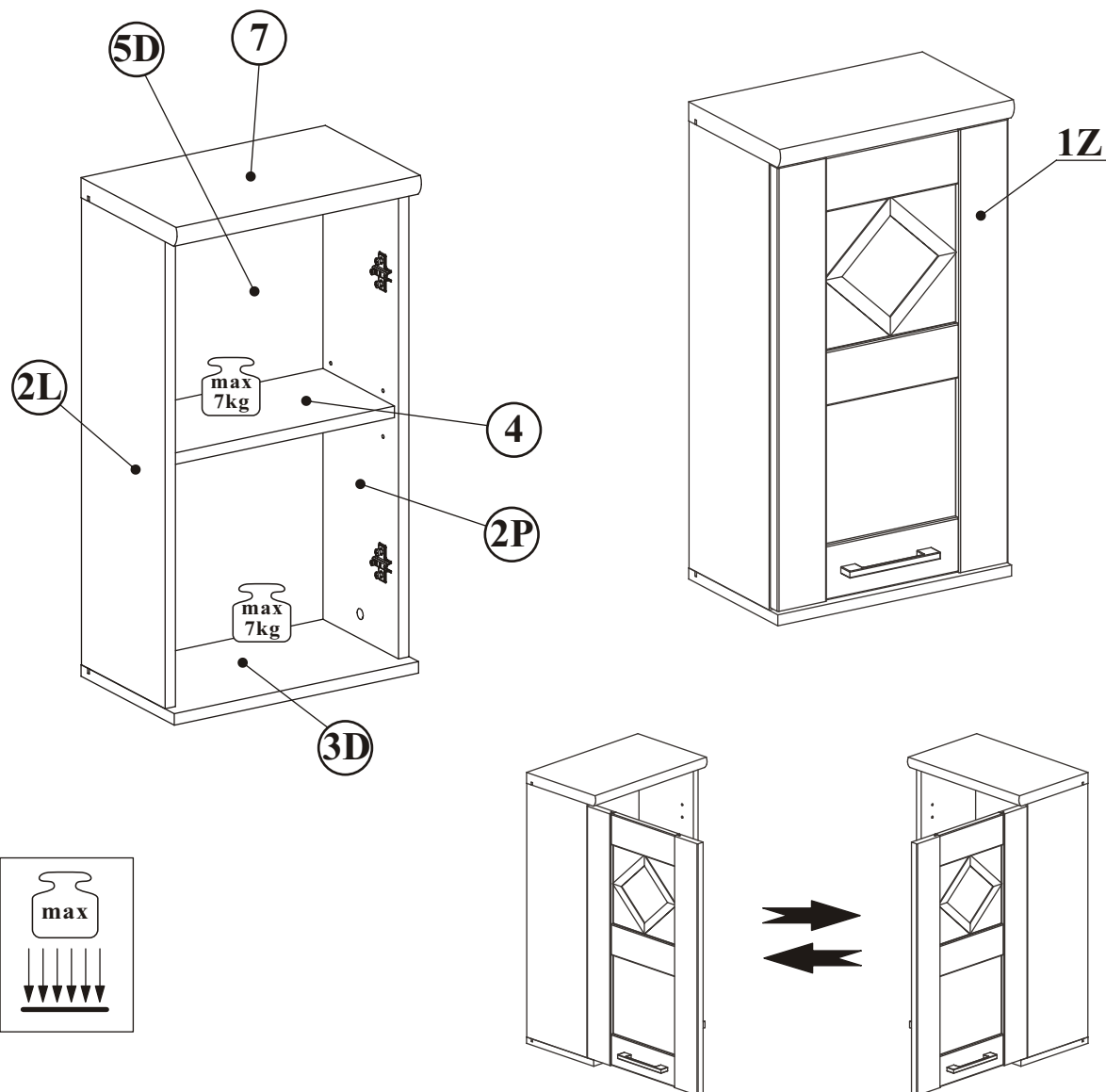
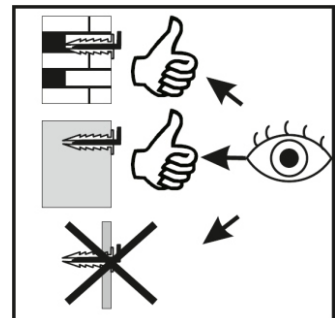
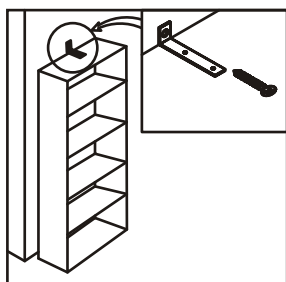
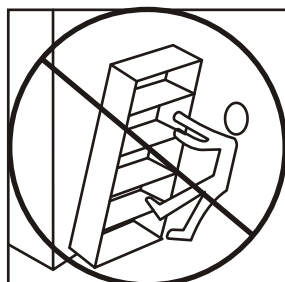
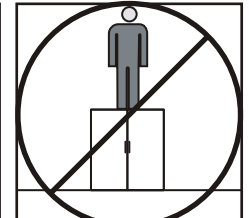
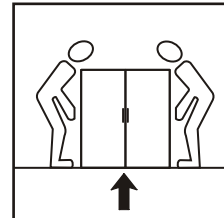
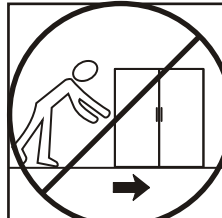
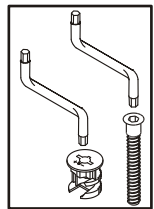
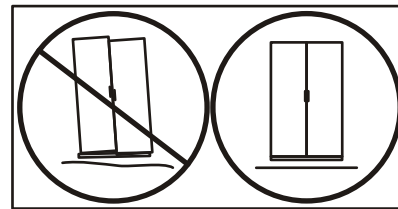
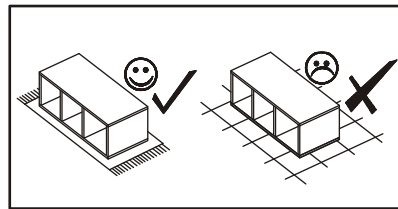
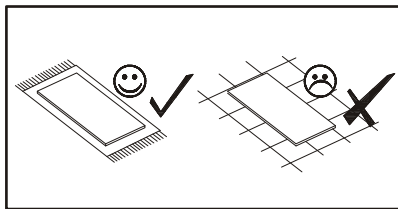
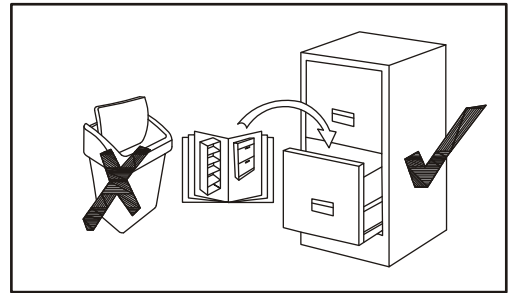
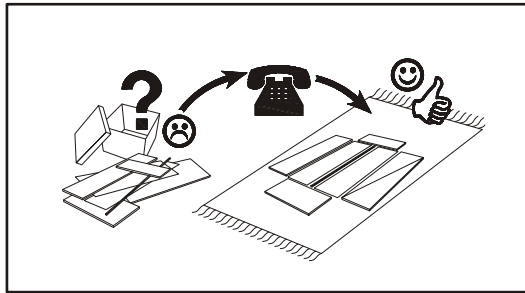
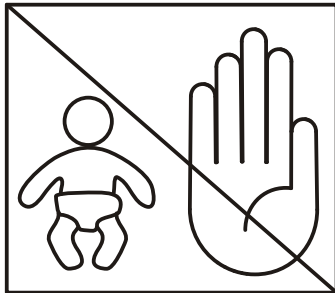
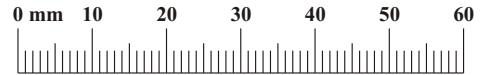


VITO COUNTRY 71-505-__-6

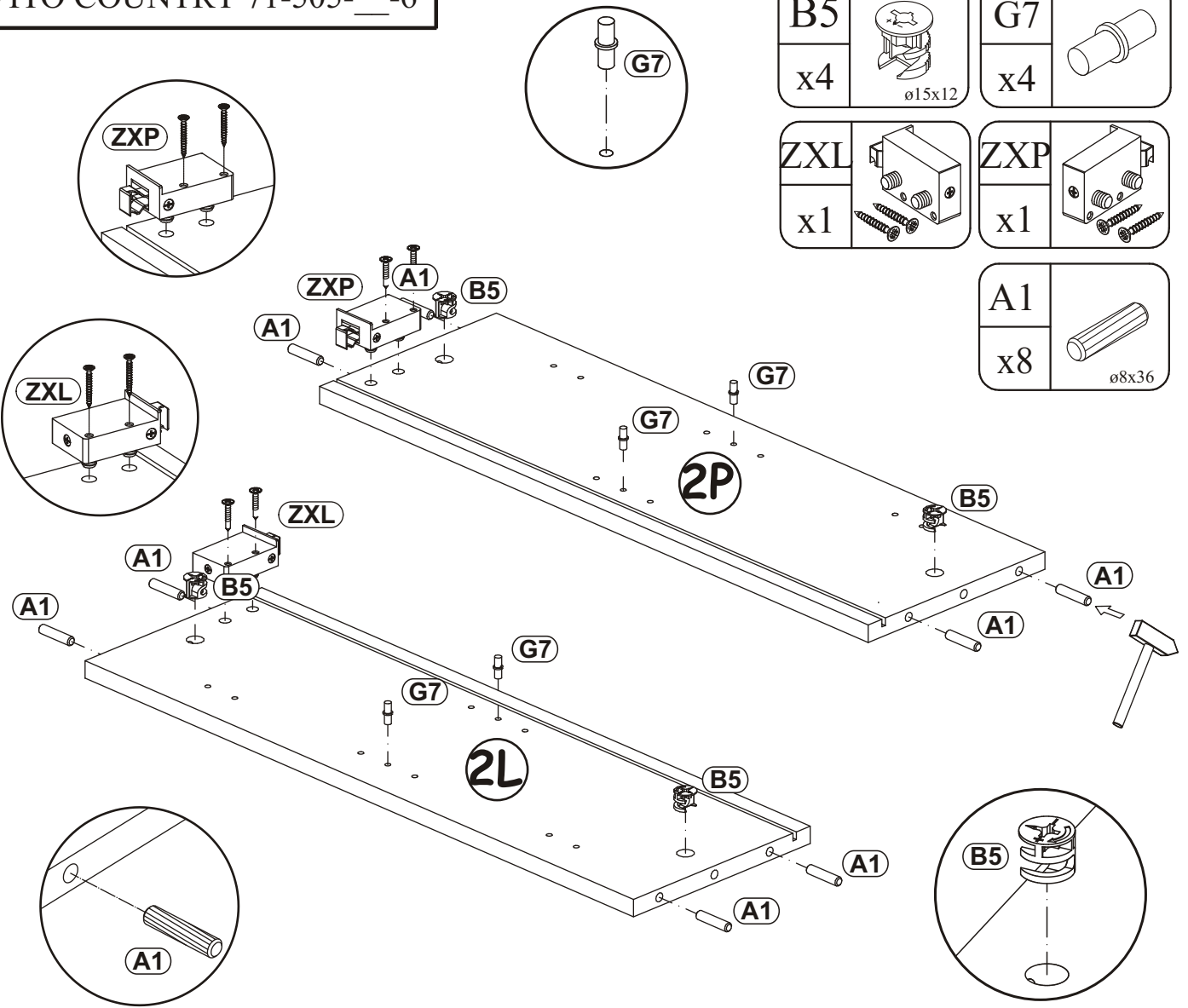



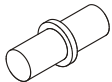
| NO | Dim. | | Col.-No | Qty |
|----|------|-----|---------|-----|
| 1Z | 646 | 376 | 1 | 1 |
| 2L | 652 | 205 | 1 | 1 |
| 2P | 652 | 205 | 1 | 1 |
| 3D | 381 | 228 | 1 | 1 |
| 4 | 348 | 175 | 1 | 1 |
| 5D | 664 | 360 | 1 | 1 |
| 7 | 381 | 235 | 1 | 1 |

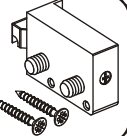
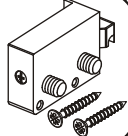
| | | | | | |
|-------------------------|-----------------|------------------------|------------|-----------|-----------------|
| A1 x8 ø8x36 | B4 x4 | B5 x4 ø15x12 | G5 x4 | G7 x4 | Z2 x4 Ø5 |
| E21 x2 Ø35 H=0 | E2 x2 H=0 | D10 x4 USØ3,5x13 | ZXL x1 | ZXP x1 | S1 x6 |
| KR1 x4 | SZ7 x2 | UP16 x2 UPØ4x35 | W128 x1 | G2 x1 | GU x2 Ø35 |

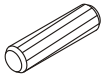


1

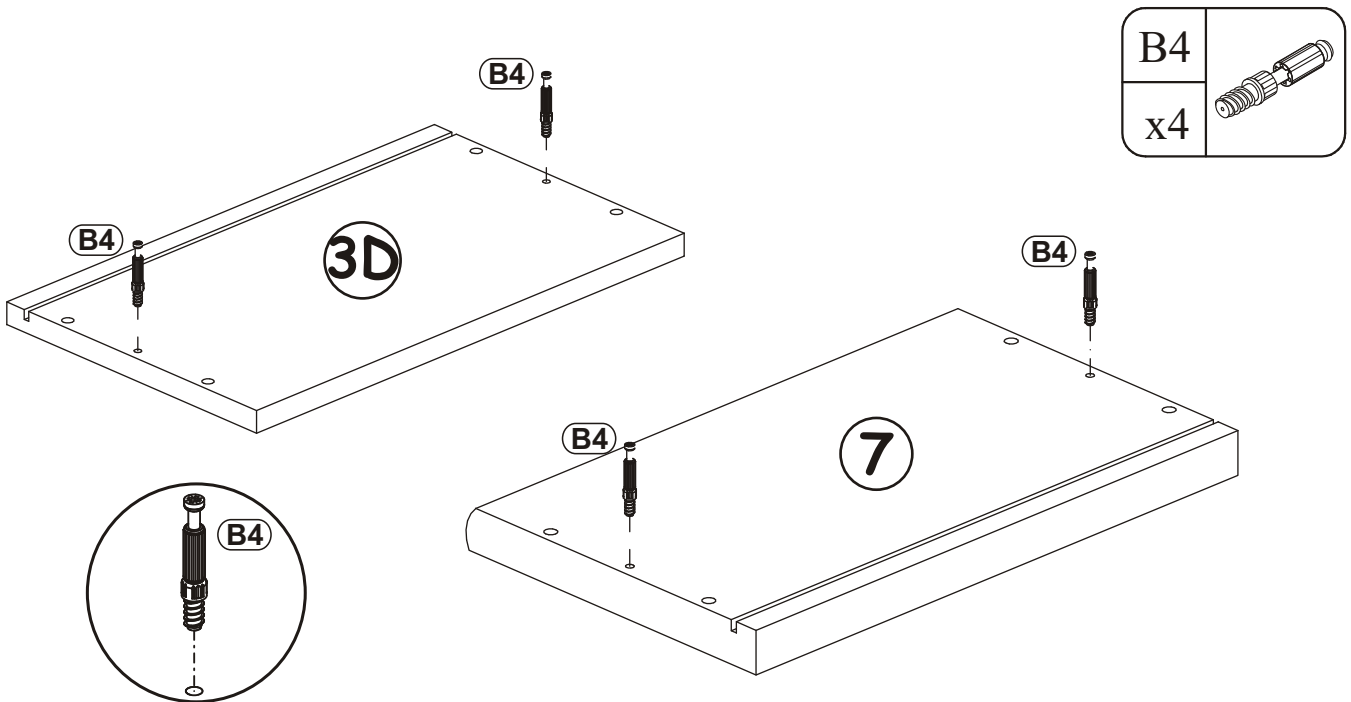


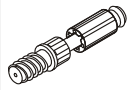
| | | | |
|----|---|----|---|
| B5 |  | G7 |  |
| x4 | ø15x12 | x4 | |

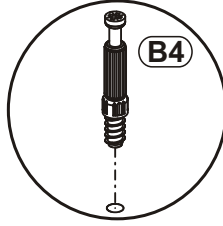
| | | | |
|-----|---|-----|---|
| ZXL |  | ZXP |  |
| x1 | | x1 | |


| | |
|----|---|
| A1 |  |
| x8 | ø8x36 |

2

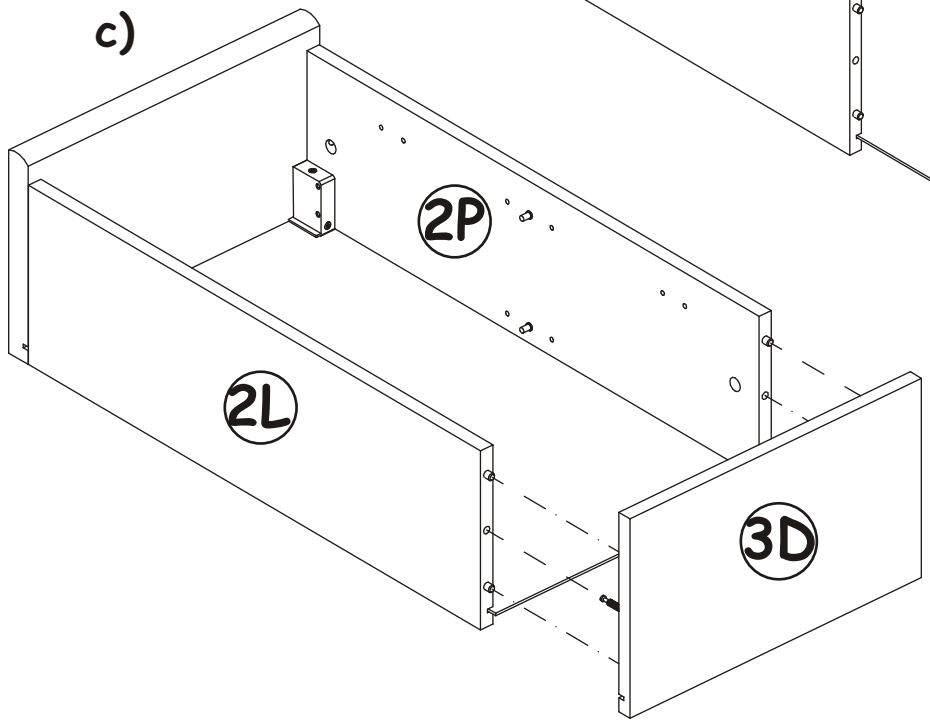
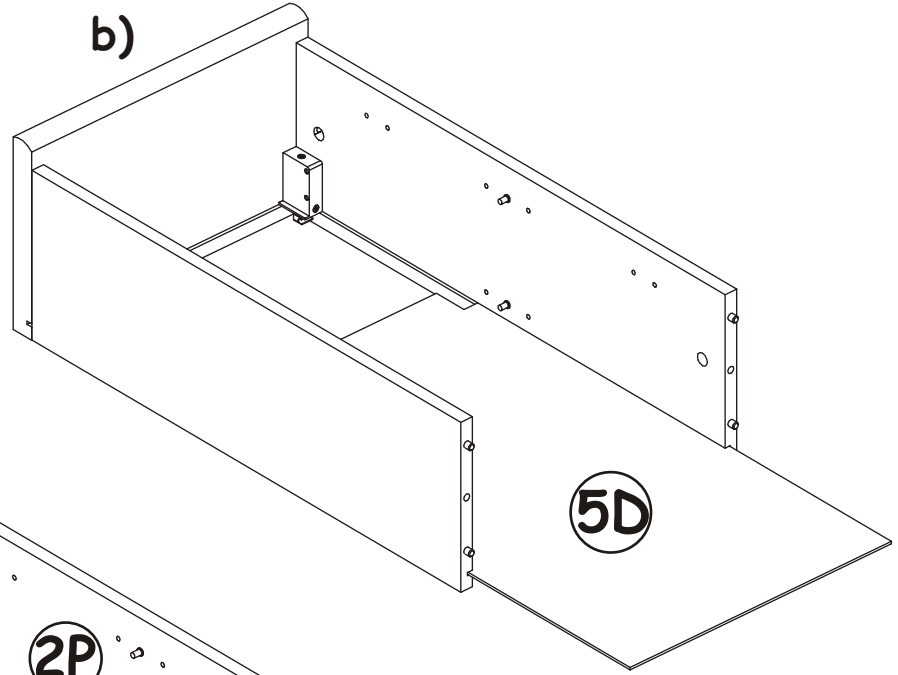
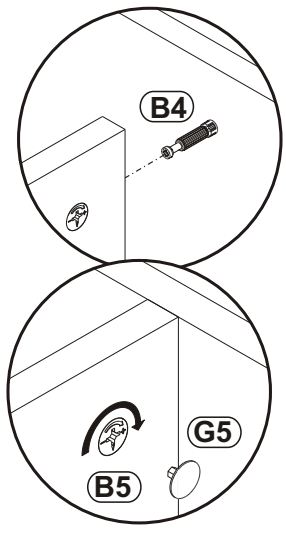
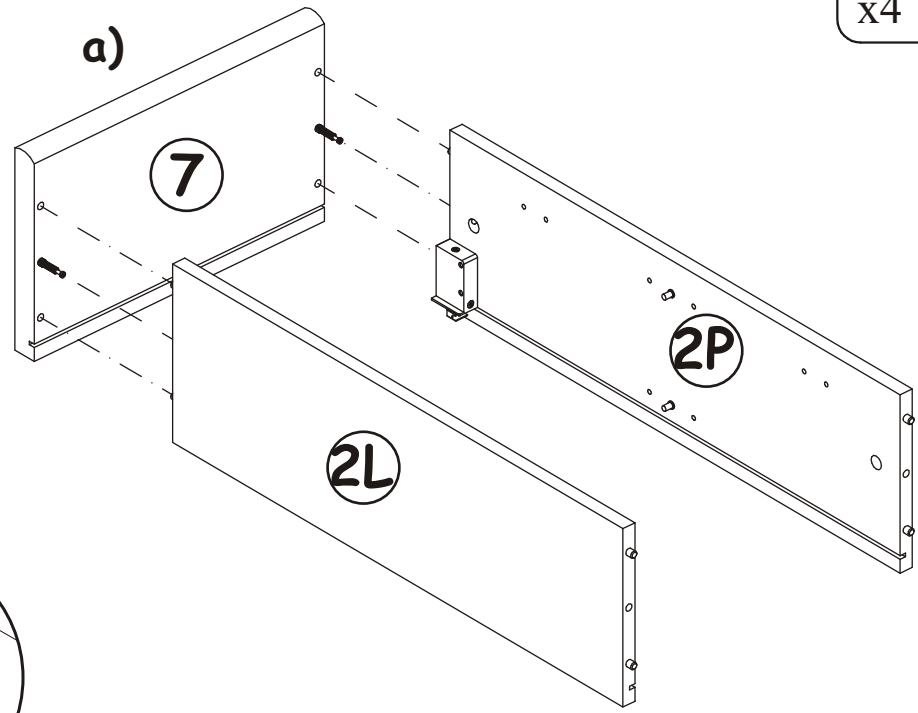


| | |
|----|---|
| B4 |  |
| x4 | |

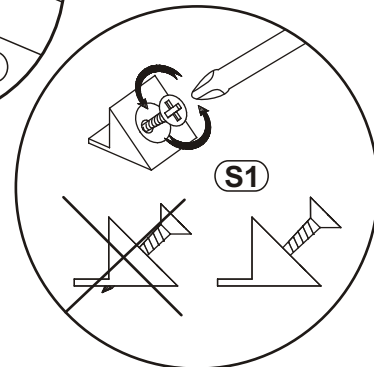
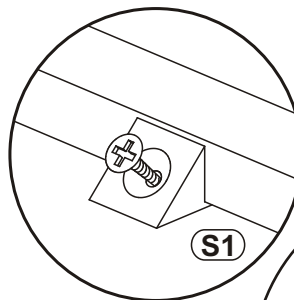
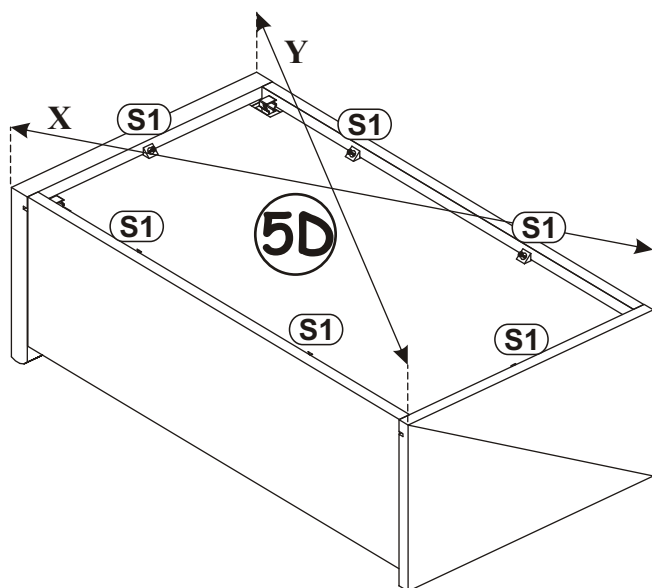
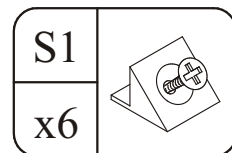


| | |
|----|---|
| G5 |  |
| x4 | |

3

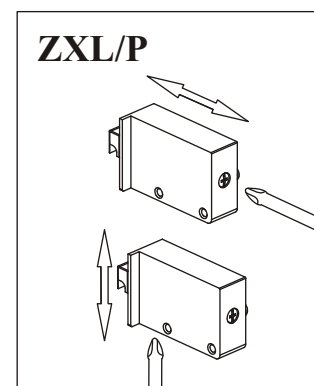
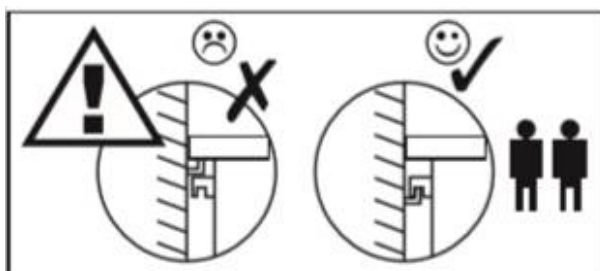
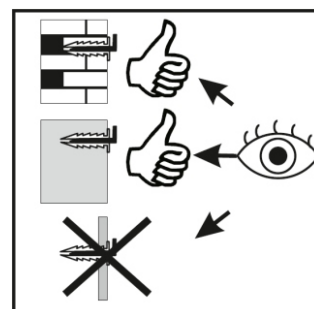
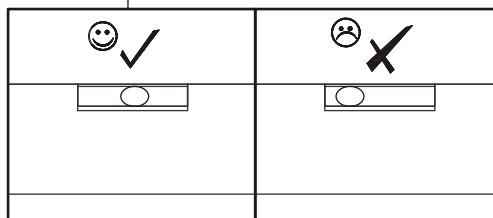
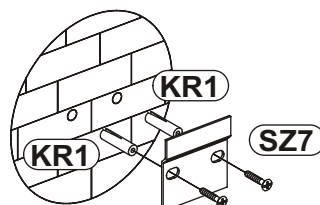
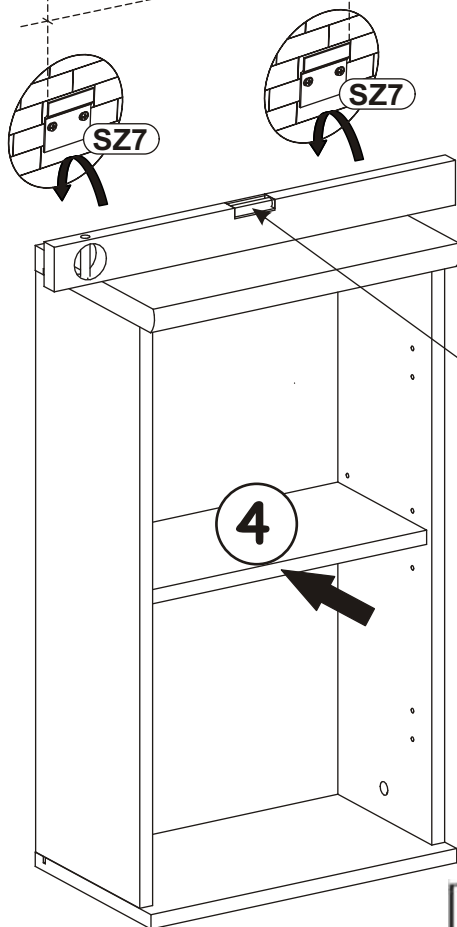
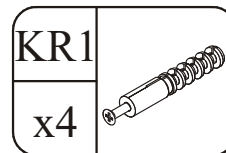
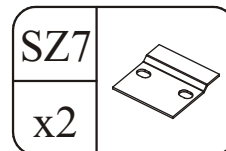
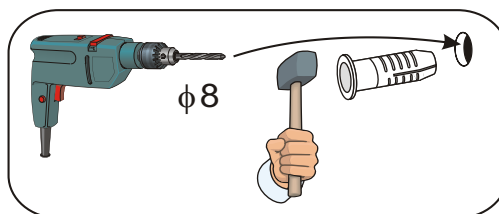


4

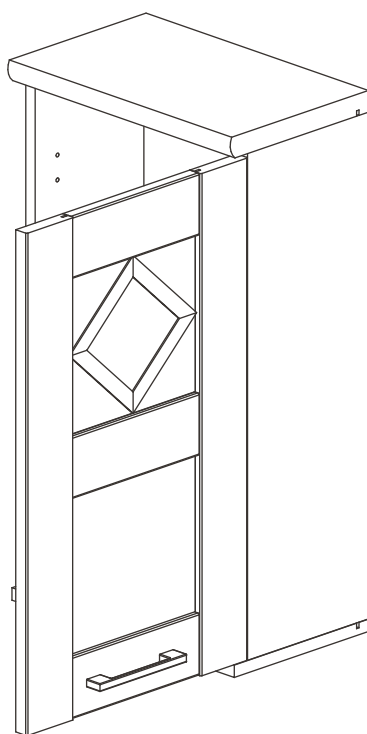


5

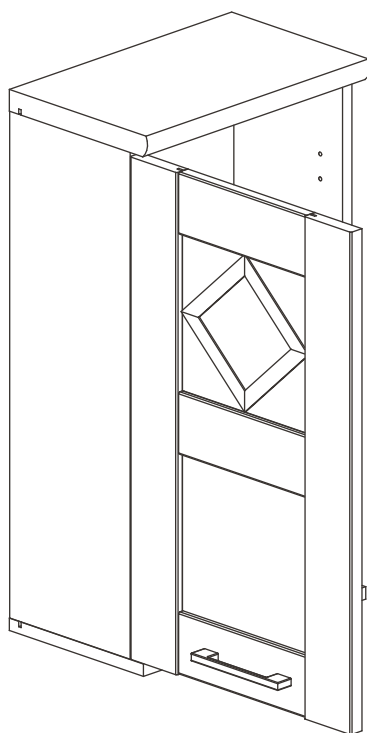
344mm





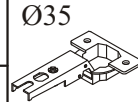
6 - 9

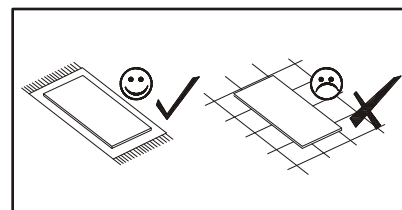
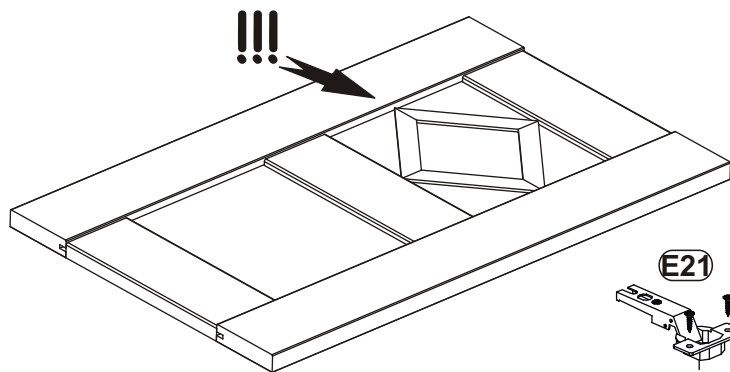


10 - 13

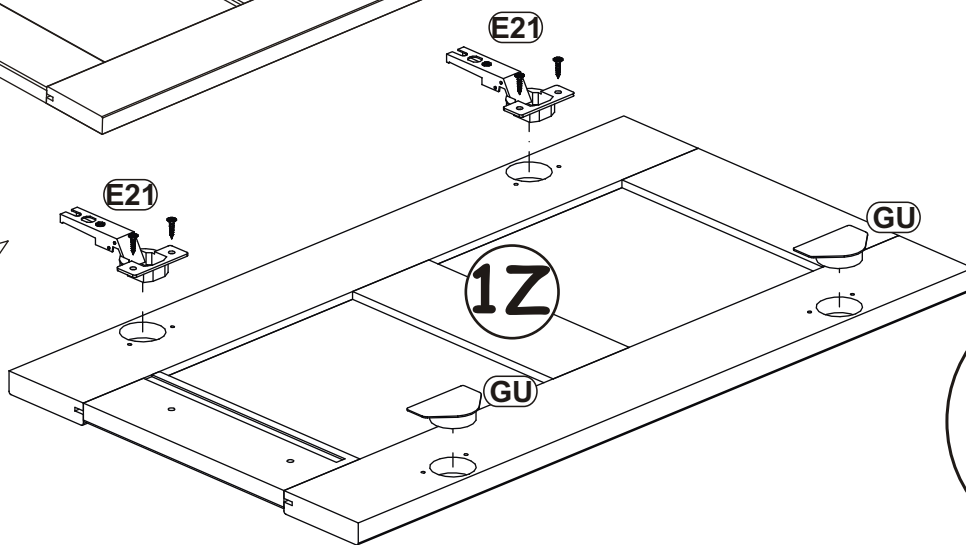


6

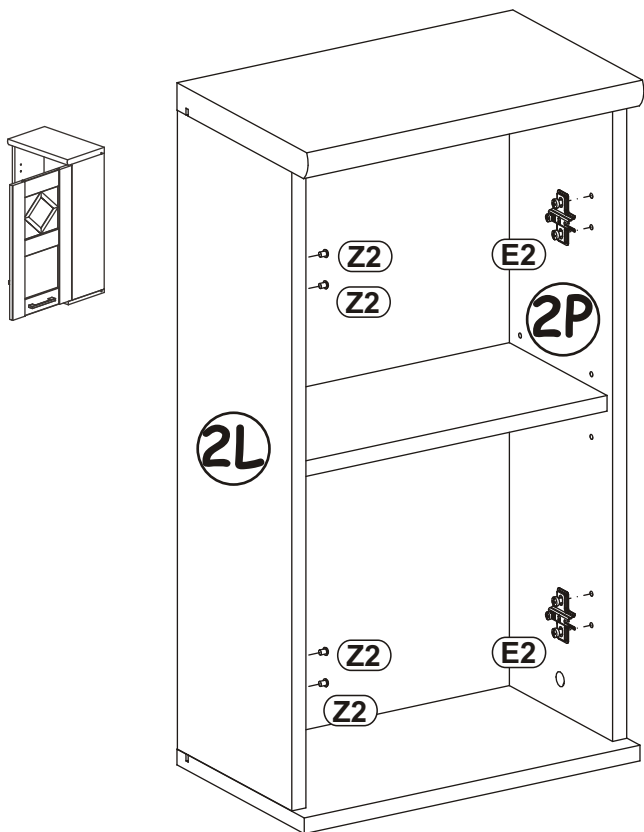
| | | | | | |
|----|---|-----|---|-----|--|
| GU |  | D10 |  | E21 |  |
| x2 | Ø35 | x4 | USØ3,5x13 | x2 | H=0 |

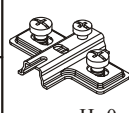



180°

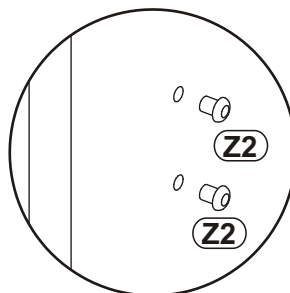
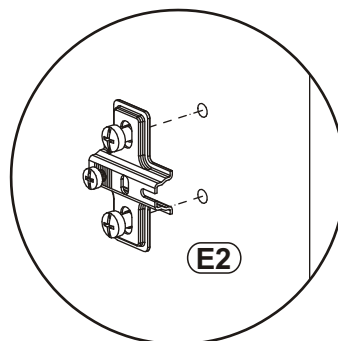


7

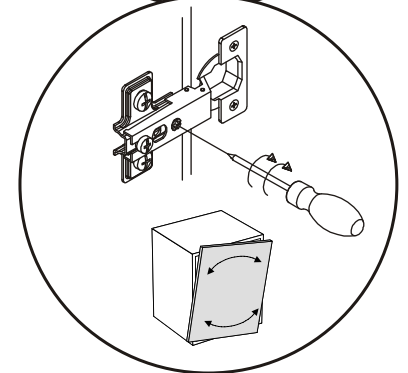
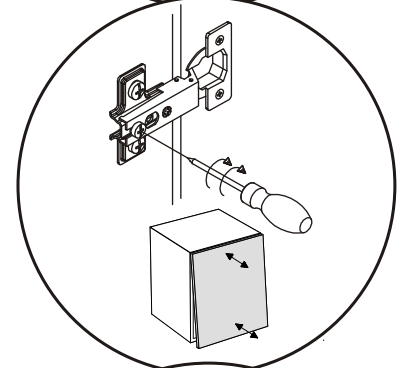
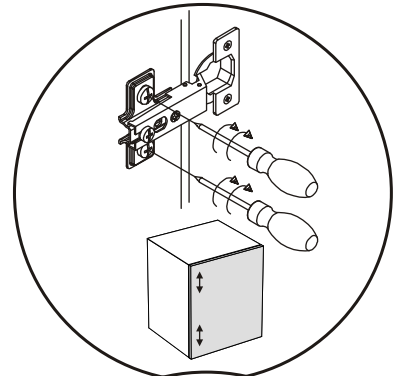
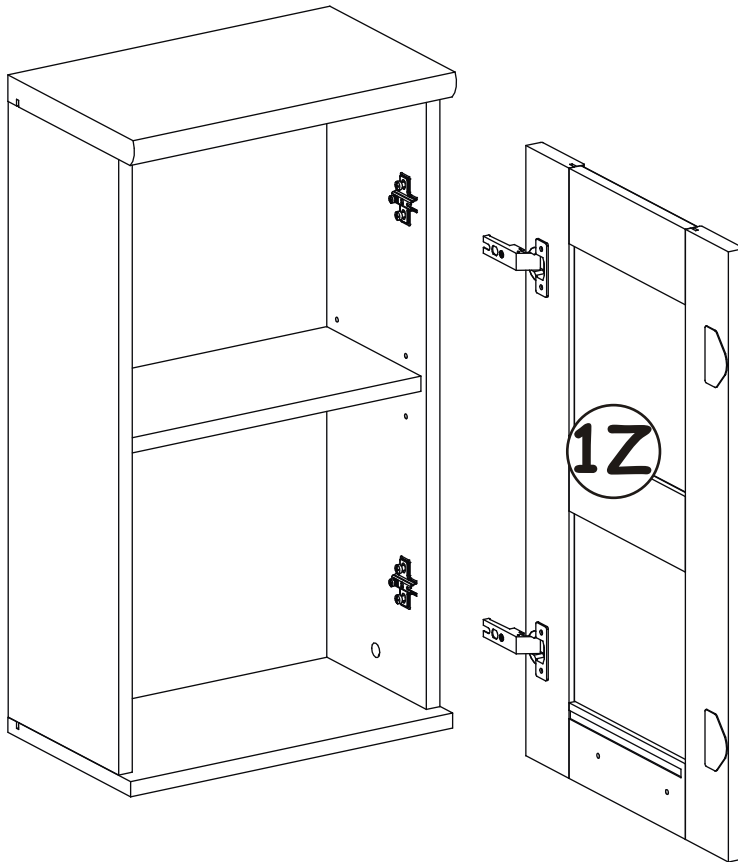
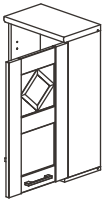


| | |
|----|---|
| E2 |  |
| x2 | H=0 |

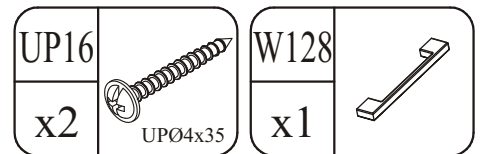
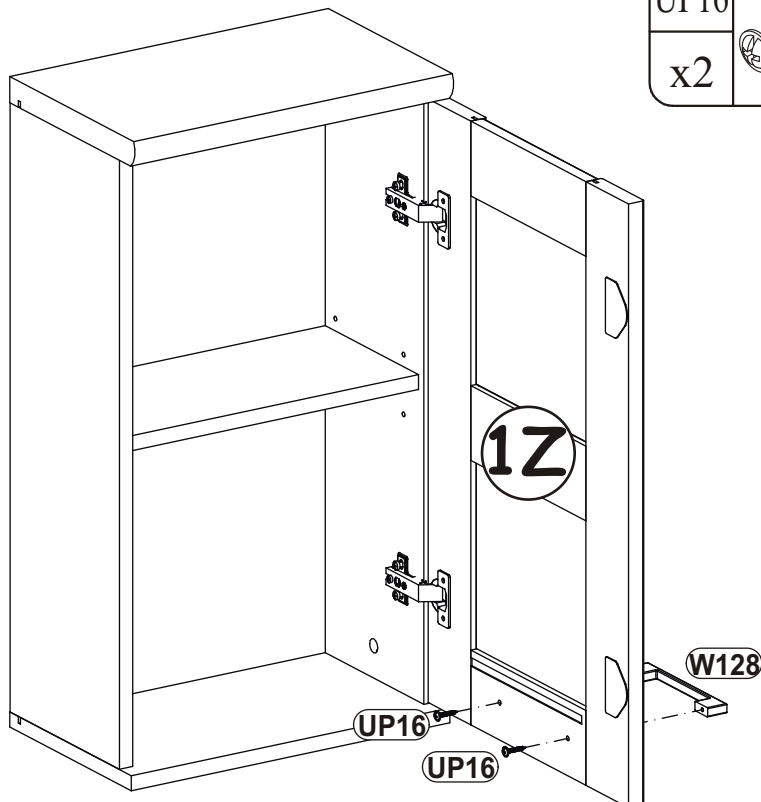
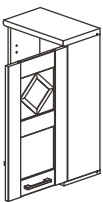
| | |
|----|---|
| Z2 |  |
| x4 | Ø5 |



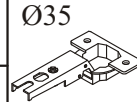


8

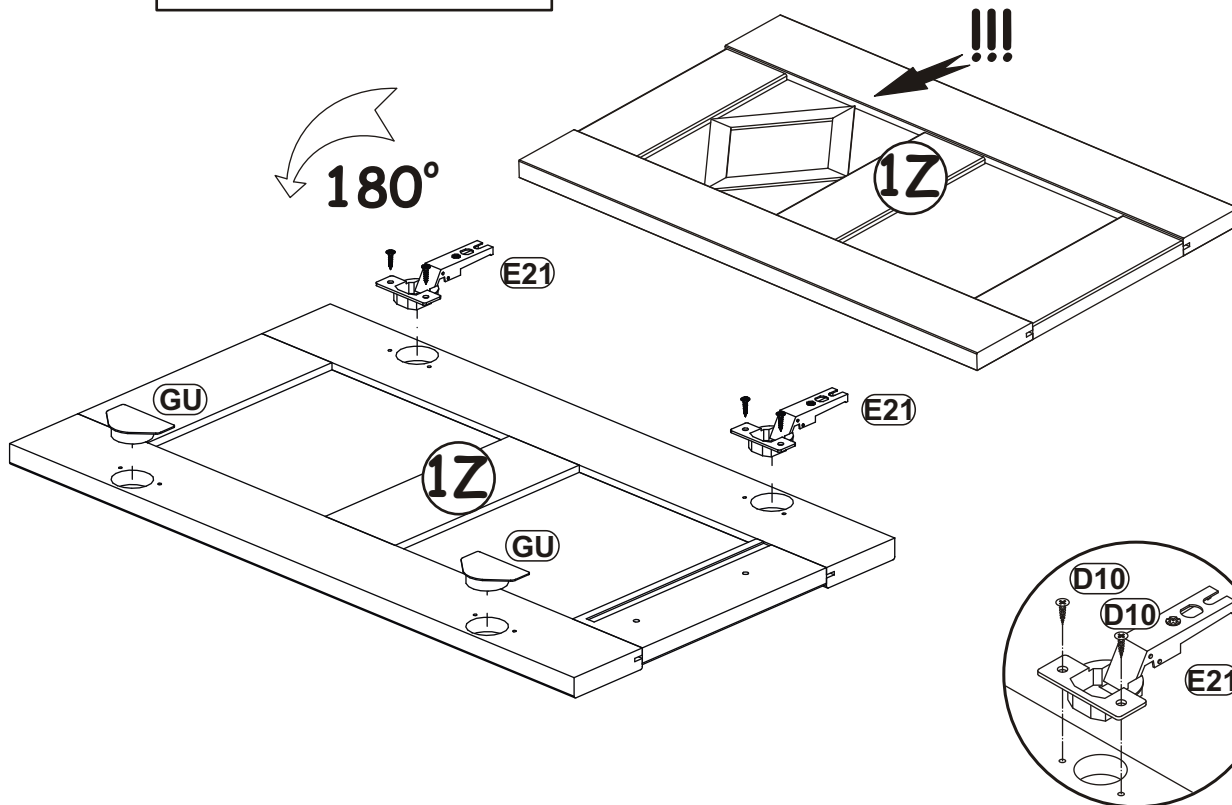
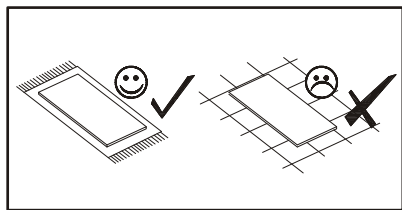
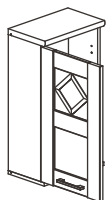


9

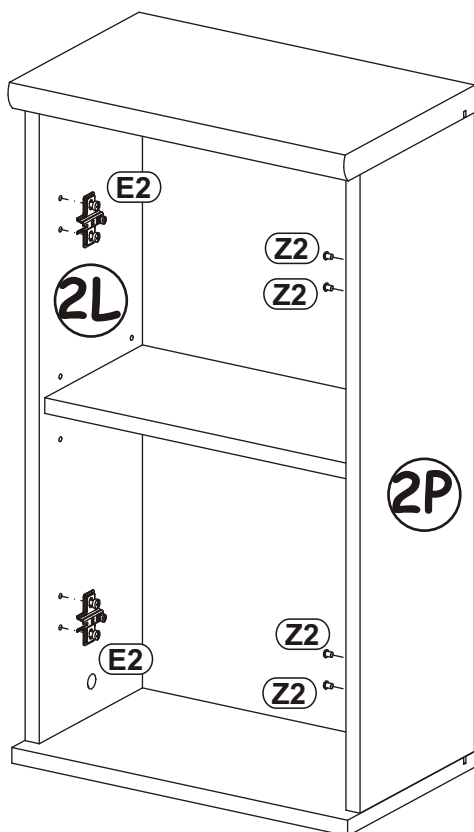
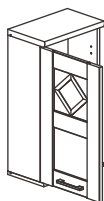


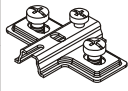
| | | | | | |
|----|---|-----|---|-----|--|
| GU |  | D10 |  | E21 |  |
| x2 | Ø35 | x4 | USØ3,5x13 | x2 | H=0 |


10

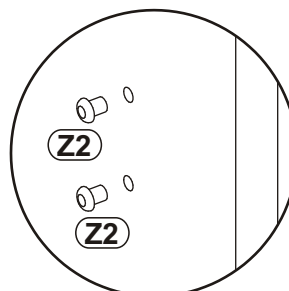
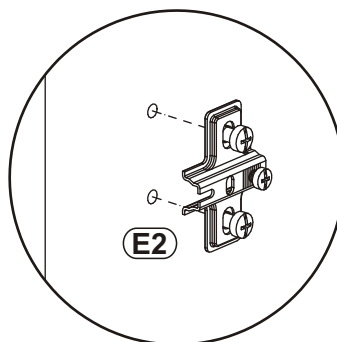


11

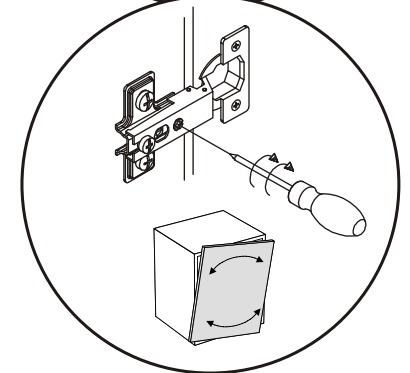
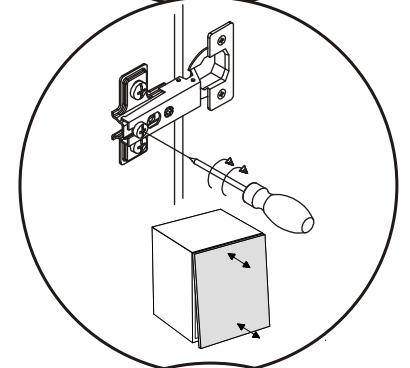
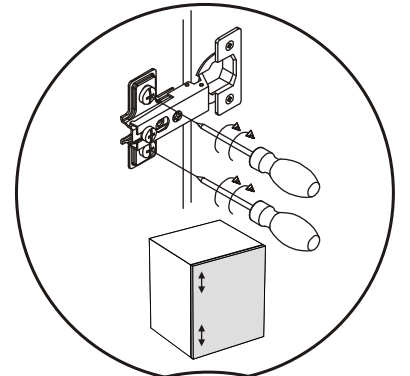
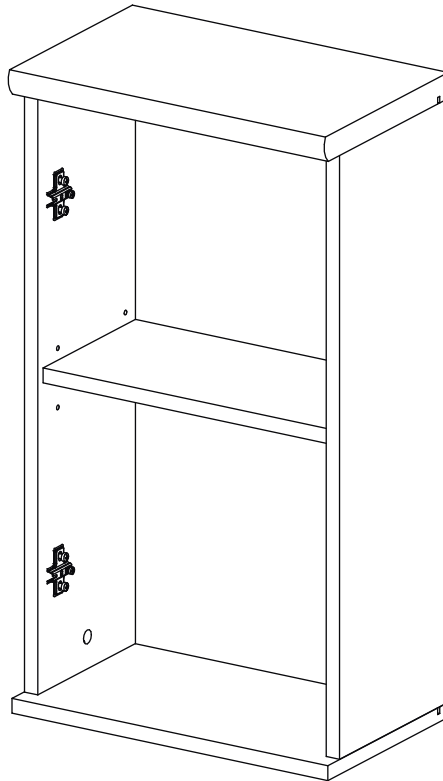
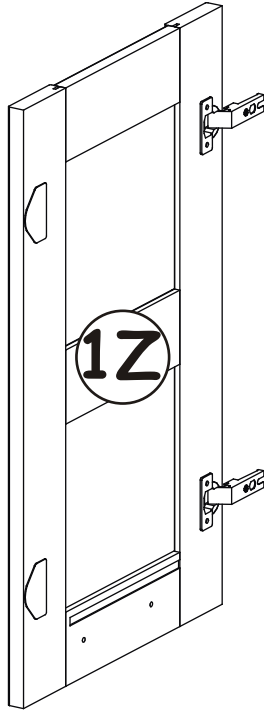
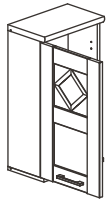


| | |
|----|---|
| E2 |  |
| x2 | H=0 |

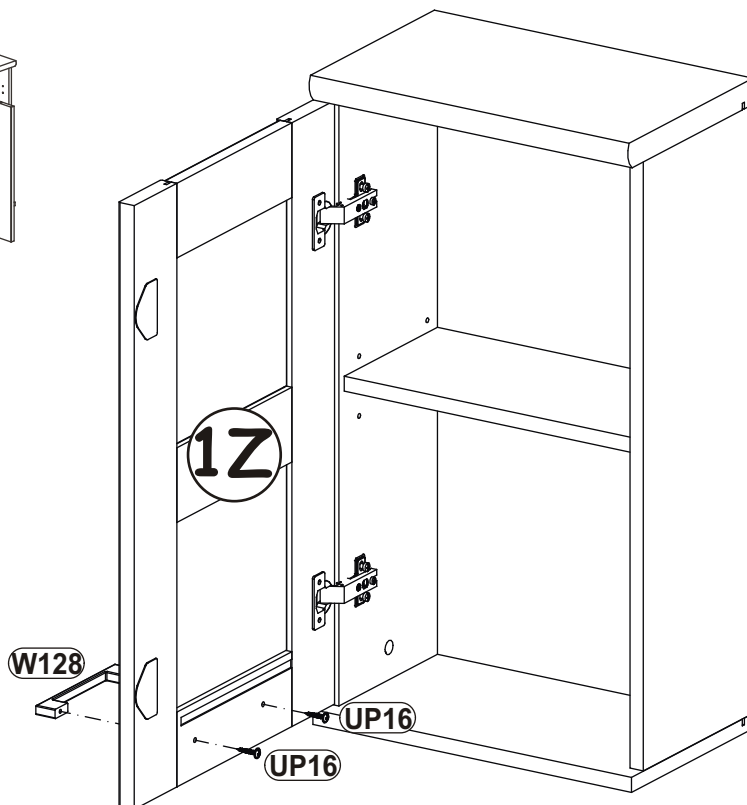
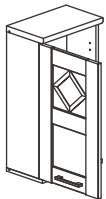
| | |
|----|---|
| Z2 |  |
| x4 | Ø5 |


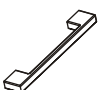


12



13



| | | | |
|------|---|------|---|
| UP16 |  | W128 |  |
| x2 | UPØ4x35 | x1 | |